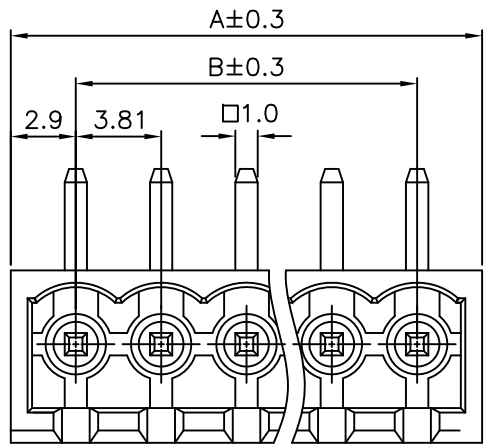


REV.	SPECIFICATION	ECN NO.	APPD.



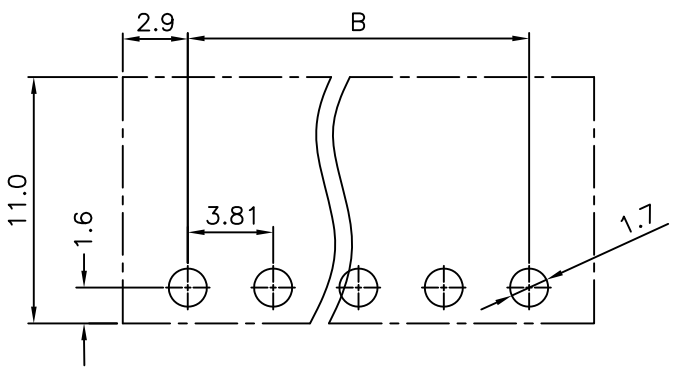
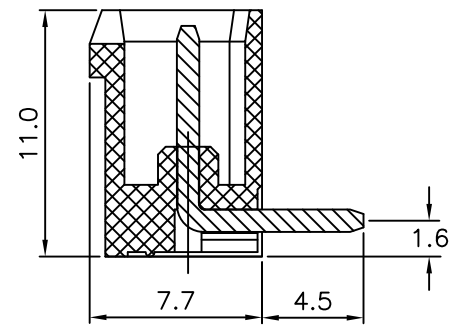
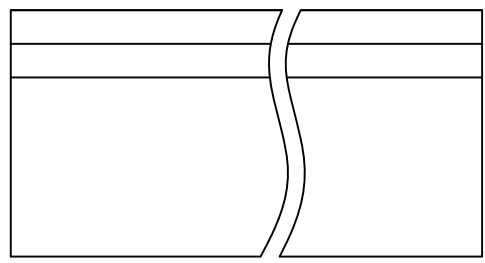
Material:

Housing: Thermoplastic Polyester UL94V-0.
Contact Pin: Copper Alloy, Tin Plated.

Electrical Characteristics:

Voltage Rating: 300V.
Current Rating: 8A.
Withstanding Voltage: 1.6KV.
Operating Temperature: -30°C~+105°C.

***RoHS Compliant**



P.C.Board Layout

8930- Series D D:Pitch 3.81mm 077110 Manufacturing Code G G:Green B:Black Y:Grey U:Blue BA BA:Close Type xx No. of Positions R R:Right Angle B B: Bulk Package for 2~4Pos. Box Package for 5~24Pos.

Position	02 Thru 24
Dimension	
A	No. of Positions *3.81+2.0
B	(No. of Positions -1) *3.81

Tolerances	Dwg. No.	8930D01010
x = ±0.5	Projection	
.x = ±0.30	Unit	mm
.xx = ±0.15	Scale	1:1
	Drawn By	FL10/05'12

Title: 8930 Series
3.81mm Terminal Block
(8100-xxMTR11-01)

OUPIN
OUPIN ELECTRONIC(KUNSHAN) CO., LTD.
P/N: 8930-D077110GBAxxRB

SHEET	1/1	Ver.No.	A3
-------	-----	---------	----

①780