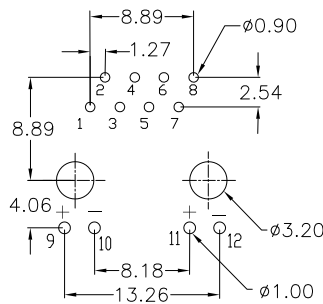
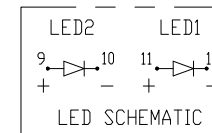
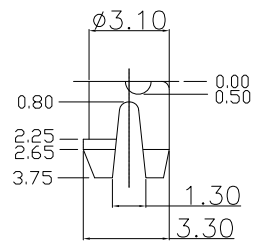
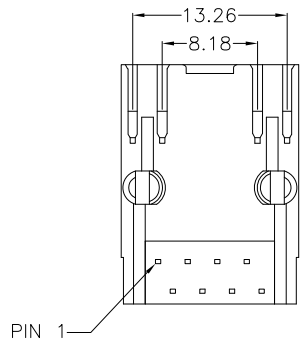
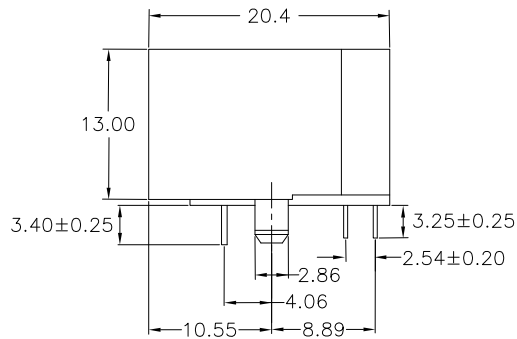
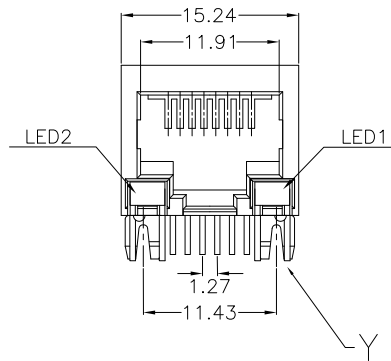


REV.	SPECIFICATION	ECN NO.	APPD.



P.C. Board Layout

Material:

Housing: PBT, UL94V-0.

Contacts: Phosphor Bronze, Gold Plated on Contact Area and Gold Flash on solder tail over Nickel 50u".

Electrical Characteristics:

Current Rating: 1A.

Dielectric Withstanding Voltage: AC 1000V.

Insulation Resistance: 500M Ω min.

Contact Resistance: 40m Ω max.

Operating Temperature: -40°C~+85°C.

***RoHS Compliant**

8949-D	8	8	1	-06	x	B	A
Series	8:8 Position	8: 8 Contacts	1: 1 Port	06: 06u" 15: 15u" 30: 30u" 50: 50u"	A: LED1: Green, LED2: Yellow B: LED1: Green, LED2: Green C: LED1: Yellow, LED2: Green D: LED1: Yellow, LED2: Yellow	B: Black	A: Tray Package

Tolerances	Dwg. No.	8949D02143		Title: 8949-D Series		OUPIN OUPIN ELECTRONIC(KUNSHAN) CO., LTD.			
x = ±0.5	Projection	$\oplus \triangleleft$		Modular Jack					
.x = ±0.25	Unit	mm	Scale	1:1		P/N: 8949-D881-06xBA			
.xx = ±0.15	Drawn By	PING 09/26'19		①563		SHEET	1/1	Ver.No.	A4