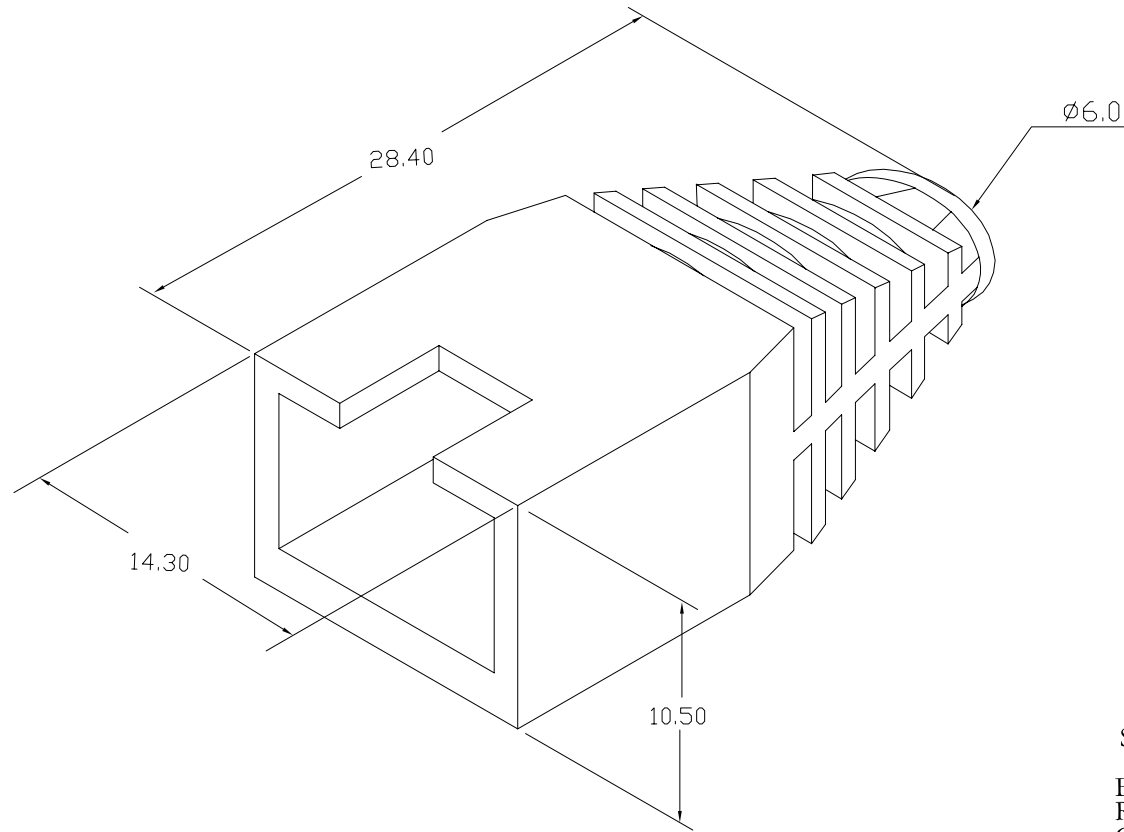


REV.	SPECIFICATION	ECN NO.	APPD.

Material:
Housing: PVC.
***RoHS Compliant**



8949-HT1 8C B 6 B

Series _____ Bulk Package

B:Black _____ Cable OD 6.0mm

R:Red

G:Green

U:Blue

Y:Grey

E:Yellow

O:Orange

N:Begin

Tolerances	Drawn No.	8949D02140		Title:	
x = ±0.5	Projection	⊕ ↗		8949 Series Modular Plug Boot	
.x = ±0.25	Unit	mm	Scale		1:1
.xx = ±0.15	Drawn By	LUPA05/24'10			

①773

OUPIN			
OUPIN ELECTRONIC(KUNSHAN) CO., LTD.			
P/N: 8949-HT18CB6B			
SHEET	1/1	Ver.No.	A1