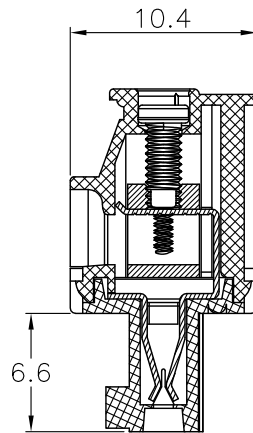
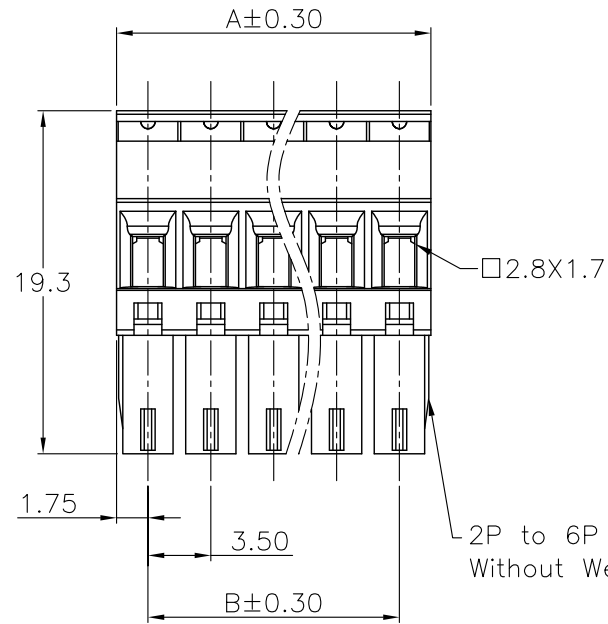
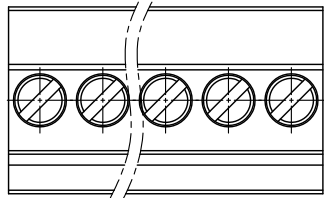


REV.	SPECIFICATION	ECN NO.	APPD.



Material:
Housing: PA66, UL94V-0.
Solder Pin: Phosphor Bronze, Tin Plated.
Clamp: Brass, Ni Plated.
Screw: Steel, Zinc Plated, M2.

Electrical Characteristics:
Voltage Rating: 300V.
Current Rating: 8A.
Solid Wire(AWG): 16-28.
Stranded Wire(AWG): 16-28.
Torque: 1.7Lb-In.
Wire Strip Length: 6-7mm.
Withstanding Voltage: 1.6KV.
Operating Temperature: -40°C~+115°C.
***RoHS Compliant**

8933- C 104193 G AA CI xx A

Series: 8933-
C: Pitch 3.5mm
Manufacturing Code: 104193
G: Green
B: Black
Y: Grey
U: Blue

AA: Slotted "-" Screw
CI: W/O Flange A Side
xx: No. of Positions
A: Tray Package

Position	2 Thru 24
Dimension	
A	No. of Positions X 3.5
B	(No. of Positions - 1) X 3.5

Tolerances	Drawn No.	8933D02017
x = ±0.50	Projection	
.x = ±0.25	Unit	mm
.xx = ±0.15	Scale	1:1
	Drawn By	Polly12/28'17

Title: 8933 Series
3.5mm Terminal Block

①780

OUPIN
OUPIN ELECTRONIC(KUNSHAN) CO., LTD.
P/N: 8933-C104193GAAClxxA

SHEET	1/1	Ver. No.	A1
-------	-----	----------	----