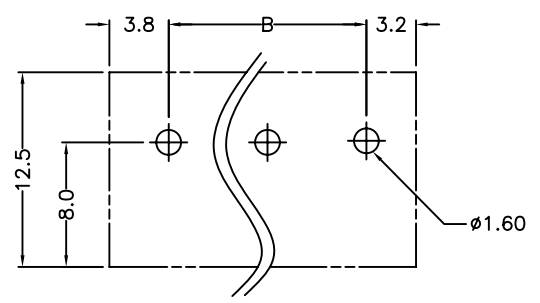
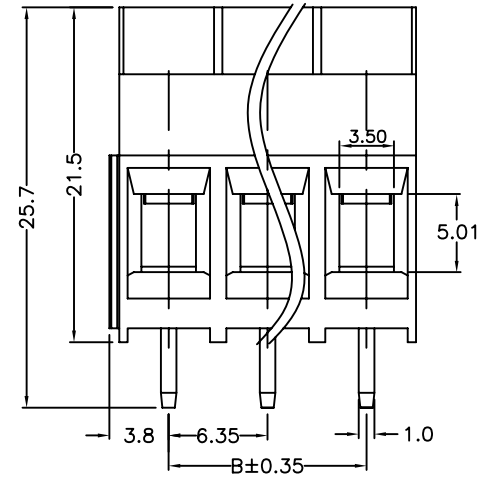
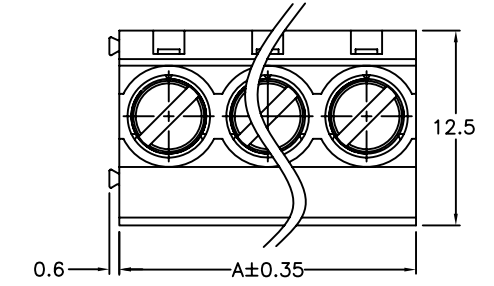
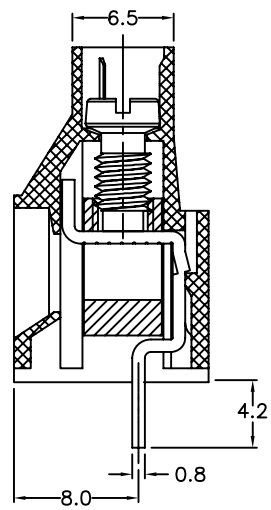


REV.	SPECIFICATION	ECN NO.	APPD.

A
B
C
D
E
F
G
H



P.C. Board Layout



Material:

Housing: Thermoplastic Polyester UL94V-0.
Solder Pin: Copper Alloy, Tin Plated.
Clamp: Copper Alloy, Ni Plated.
Screw: Metal, Zinc Plated, M3.5.

Electrical Characteristics:

Voltage Rating: 300V
Current Rating: 30A
Solid Wire(AWG): 10-24
Stranded Wire(AWG): 10-24
Torque(LB-In): 6.9
Wire Strip Length: 6-7mm
Withstanding Voltage: 1.6KV
Operating Temperature: -40°C~+115°C

***RoHS Compliant**

8932- Series **H** **125215** **G** **AA** **xx** **S** **B**
 H:Pitch 6.35mm Manufacturing Code G:Green B:Black Y:Grey U:Blue AA:Slotted "—"Screw No. of Positions S:Straight B:Box Package

Position Dimension	2 Thru 16
A	No. of Positions*6.35
B	(No. of Positions-1)*6.35

Tolerances	Dwg. No.	8932D02006	Title:		 OUPIIN ELECTRONIC(KUNSHAN) CO., LTD. P/N: 8932-H125215GAxxSB SHEET 1/1 Ver.No. A3
x = ±0.5	Projection		8932 Series		
.x = ±0.30	Unit	mm	Scale	1:1	
.xx = ±0.15	Drawn By	PEGGY07/12/12	①780	6.35mm Terminal Block (8900-xxTS11-11)	

1 2 3 4 5 6 7 8 9 10 11 12

1 2 3 4 5 6 7 8 9 10 11 12