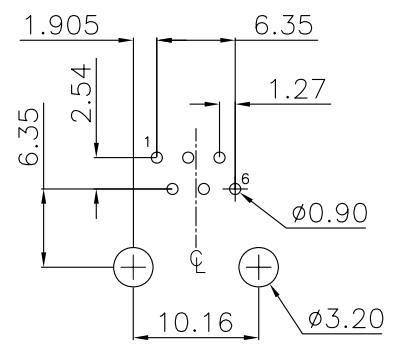
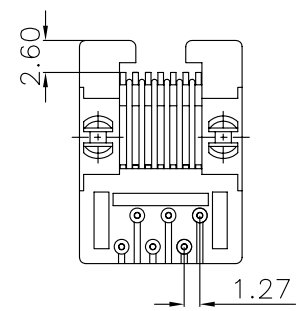
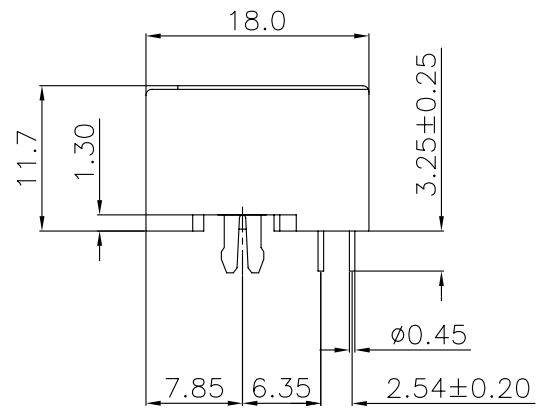
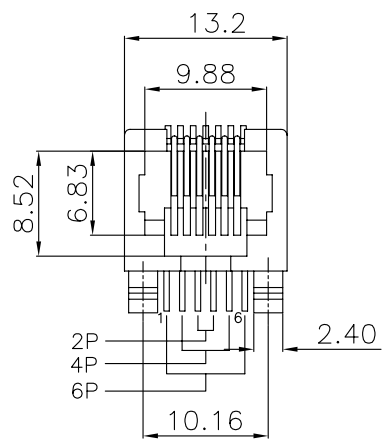


REV.	SPECIFICATION	ECN NO.	APPD.



P.C. Board Layout

Material:

Housing: Thermoplastic Polyester Glass Filled UL94V-0.

Contact: Copper Alloy, Gold Plated.

Electrical Characteristics:

Current Rating: 1.5 AMP.

Insulator Resistance: 500MΩ min.

Contact Resistance: 30mΩ max.

Operating Temperature: -40°C~+85°C.

***RoHS Compliant**

8949-K	6	6	/06	B	A
Series	6: 6 Position	6: 6 Contacts 4: 4 Contacts 2: 2 Contacts	06: 06u" Gold Plated	B: Black Y: Grey	A: Tray Package

Tolerances	Dwg. No.	8949D02135	Title:		OUPIIN OUPIIN ELECTRONIC(KUNSHAN) CO., LTD.
x = ±0.5	Projection		8949-K Series		
.x = ±0.25	Unit	mm	Scale	1:1	P/N: 8949-K66/06BA
.xx = ±0.15	Drawn By	CQ 08/26'13	Modular Jack		SHEET 1/1
			0563		Ver.No. B1