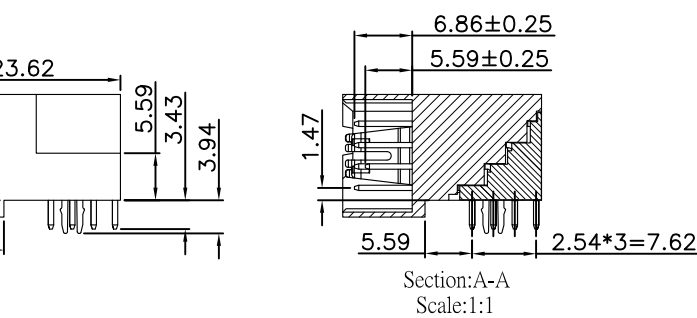
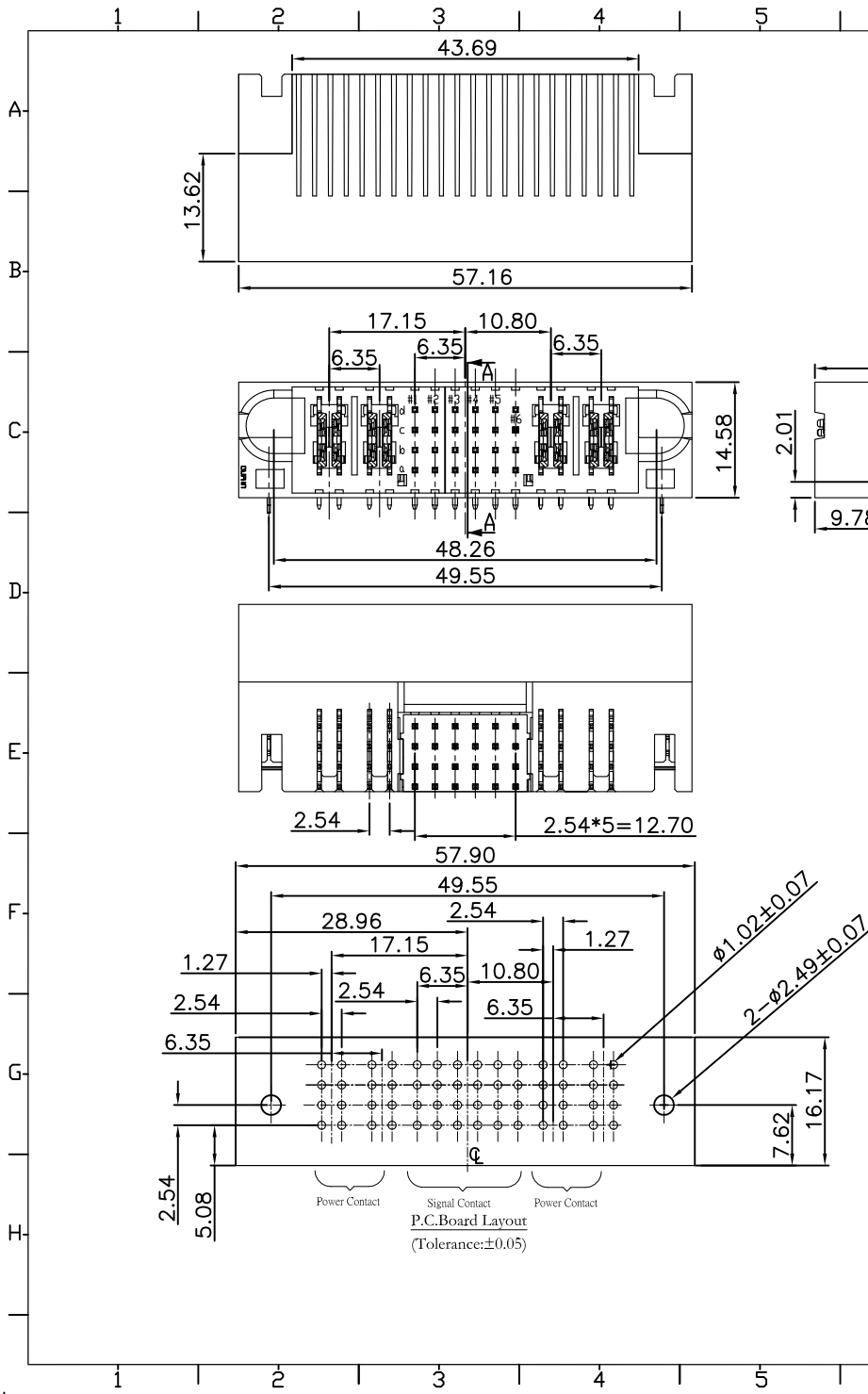


REV.	SPECIFICATION	ECN NO.	APPD.
X2			

Material:
Housing: High Temperature Plastic UL94V-0.
Contacts: Copper Alloy
Lock: Copper Alloy

Electrical Characteristics:
Current Rating: Signal Pin 2.5 AMP.
Power Pin 30 AMP.
Dielectric Withstanding Voltage:
Signal Pin DC 1000V For 1 minute.
Power Pin DC 2500V For 1 minute.
Insulator Resistance: Signal Pin 5000MΩ min. at DC 500V.
Power Pin 20000MΩ min. at DC 500V.
Contact Resistance: Signal Pin 15mΩ max. at DC 20mA.
Power Pin 0.7mΩ max. at DC 20mA.
Operating Temperature: -40°C ~+105°C.

***RoHS Compliant**
Notes 1:
H: High density Power---PCB Mount 5.08mm Pitch
P: DC Power---PCB Mount 6.35mm Pitch
A: AC Power---PCB Mount 7.62mm Pitch
S: Signal---PCB Mount 2.54mm Pitch
Notes 2:
b3 Contact Length is 5.59mm.
Other Pin Contact Length is 6.86mm.



ROWS		POWER		SIGNAL				POWER			
		P1	P2	1	2	3	4	5	6		P3
D				G	G	G	G	G	G		
C		MS	MS	G	G	G	G	G	G	MS	MS
B				G	G	E	G	G	G		
A				G	G	G	G	G	G		

SIGNAL PIN CONTACT LENGTH 4.32mm	H
SIGNAL PIN CONTACT LENGTH 5.59mm	E
SIGNAL PIN CONTACT LENGTH 7.05mm	F
SIGNAL PIN CONTACT LENGTH 6.86mm	G
HOT PLUG POWER CONTACT.STD	MS

9391-A 1 P02 S24 P02 CB 30 D L A -A002

Series: 9391-A
1: Male Right-angle
Blank: Without Contact
Power Contact: H_{xx}, P_{xx}, A_{xx}
No. of position
Blank: Without Contact
Signal Contact: S_{xx}
No. of position
Blank: Without Contact
Power Contact: H_{xx}, P_{xx}, A_{xx}
No. of position
Blank: Without Contact
L: With Lock
D: Dip Type
30: 30u"
CB: Dip Tin Plated Contact Au+Pd/Ni Plated
A: Tray Package
Internal Code

Tolerances	Dwg. No.	9391-D0000-085	
x = ±0.5	Projection		
.x = ±0.25	Unit	mm	Scale 1:1
.xx = ±0.15	Drawn By	zbs 06/25'16	

Title: 9391 Series
Male Right-angle Dip Type

OUPIN
OUPIN ELECTRONIC(KUNSHAN) CO., LTD.
P/N: 9391-A1P02S24P02CB30DLA-A002

SHEET	1/1	Ver. No.	X2
-------	-----	----------	----