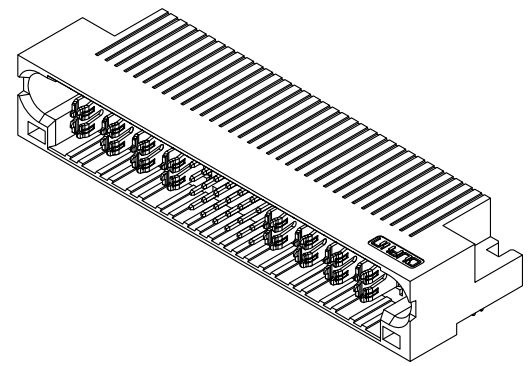


REV.	SPECIFICATION	ECN NO.	APPD.
R4		ECN220821	



Material and Plating:

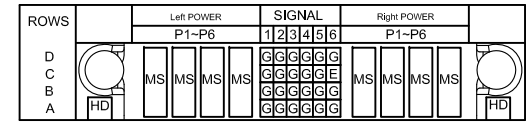
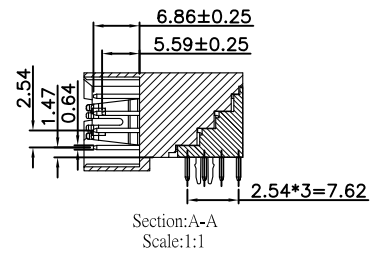
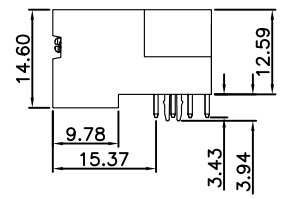
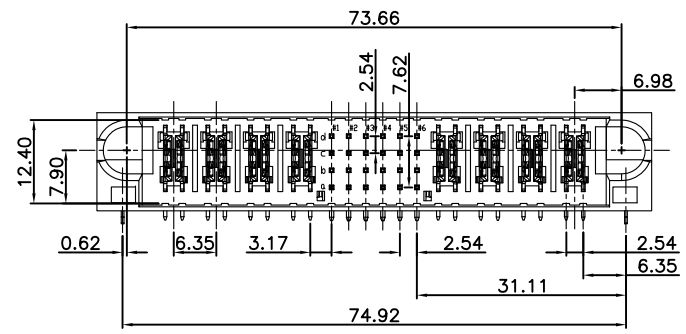
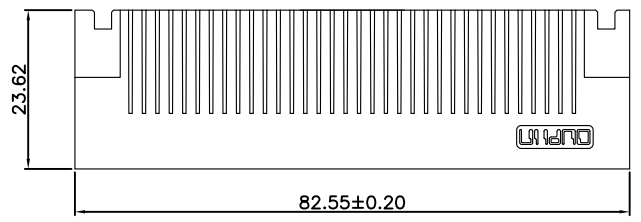
Housing: LCP, UL94V-0, BLACK.
 Power Contacts: High Conductivity Copper.
 30u"Au+Pd/Ni on Contact Area and 80u" Min Tin Plated on Solder Tail over nickel 50u" Min.
 Signal Contact: Brass.
 30u"Au+Pd/Ni on Contact Area and 80u" Min Tin Plated on Solder Tail over nickel 50u" Min.
 Lock: Phosphor Bronze.

Electrical Characteristics:

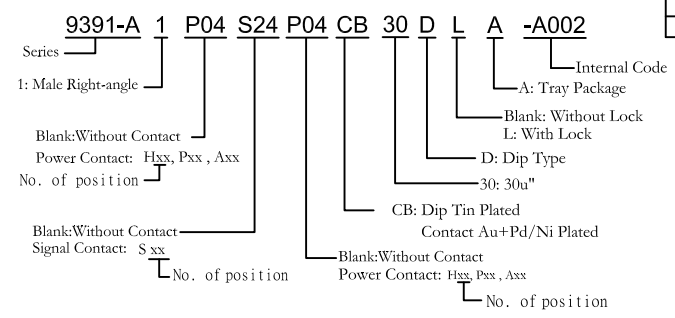
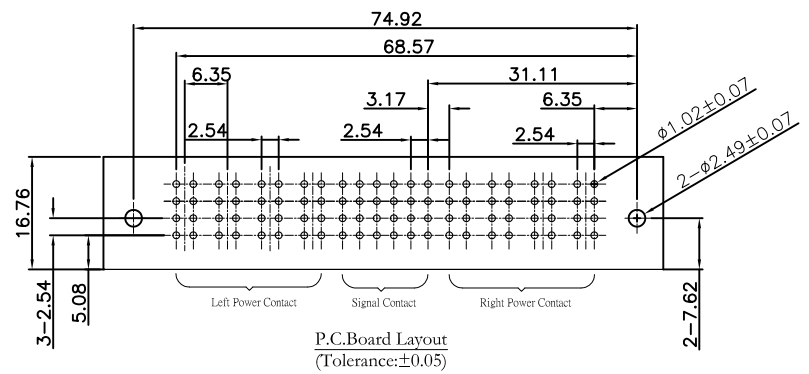
Current Rating: Signal Pin 2.5 AMP.
 Power Pin 30 AMP.
 Dielectric Withstanding Voltage:
 Signal Pin DC 1000V For 1 minute.
 Power Pin DC 2500V For 1 minute.
 Insulator Resistance: Signal Pin 5000MΩ min. at DC 500V.
 Power Pin 20000MΩ min. at DC 500V.
 Contact Resistance: Signal Pin 15mΩ max. at DC 20mA.
 Power Pin 0.7mΩ max. at DC 20mA.
 Operating Temperature: -40°C ~+105°C .

***RoHS Compliant**

Notes 1 :
 H: High density Power---PCB Mount 5.08mm Pitch
 P: DC Power---PCB Mount 6.35mm Pitch
 A: AC Power---PCB Mount 7.62mm Pitch
 S: Signal---PCB Mount 2.54mm Pitch
 Notes 2 :
 c6 Contact Length is 5.59mm.
 Other Pin Contact Length is 6.86mm.



SIGNAL PIN CONTACT LENGTH 4.32mm	H
SIGNAL PIN CONTACT LENGTH 5.59mm	E
SIGNAL PIN CONTACT LENGTH 7.05mm	F
SIGNAL PIN CONTACT LENGTH 6.86mm	G
HOT PLUG POWER CONTACT,STD	MS



Tolerances	Dwg. No.	9391-D0000-032
x = ±0.5	Projection	
.x = ±0.25	Unit	mm
.xx = ±0.15	Scale	1:1
	Drawn By	ZY 08/14'22

Title: 9391 Series
 Male Right-angle Type

OUPIIN ELECTRONIC(KUNSHAN) CO., LTD.			
P/N: 9391-A1P04S24P04CB30DLA-A002			
SHEET	1/1	Ver. No.	R4