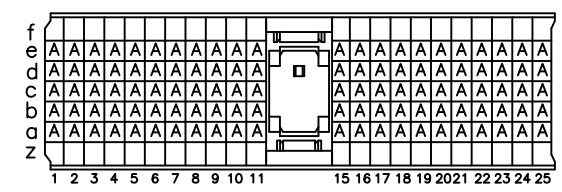


|      |               |         |       |
|------|---------------|---------|-------|
| REV. | SPECIFICATION | ECN NO. | APPD. |
| R1   |               |         |       |

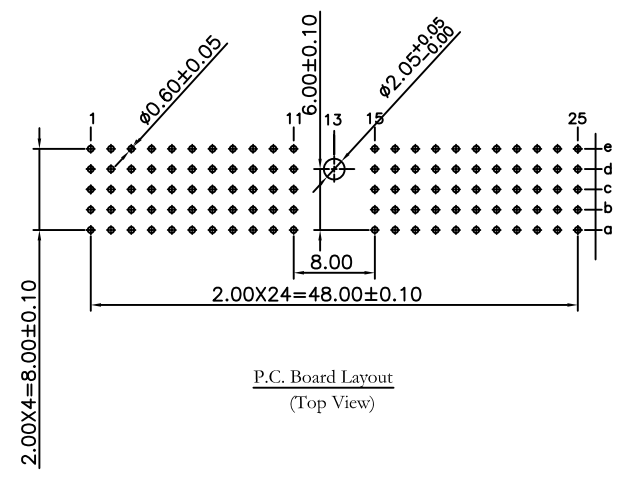
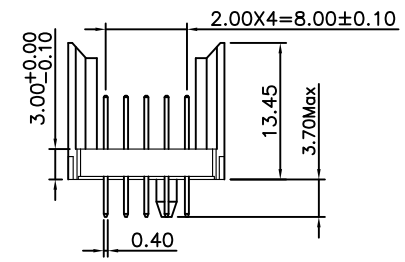
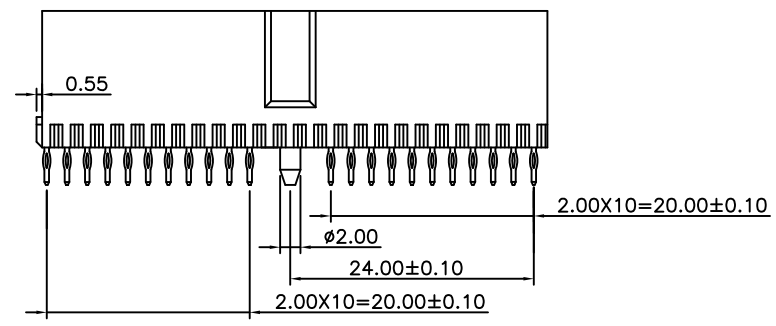
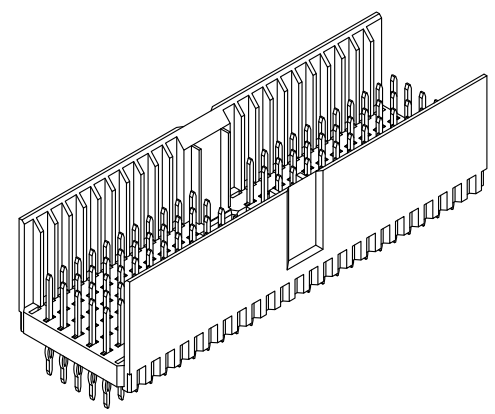
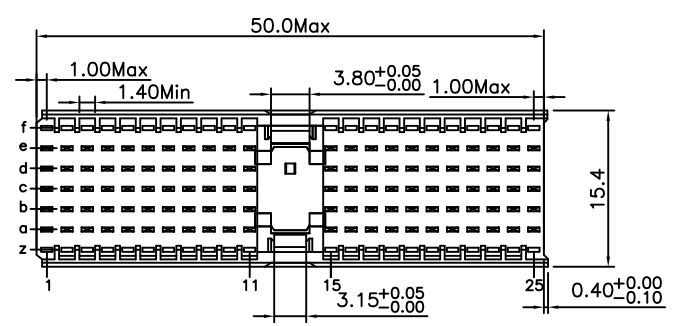
**Material:**  
Housing: Thermoplastic Polyester Glass Filled UL94V-0  
Contacts: Copper Alloy

**Electrical Characteristics:**  
Current Rating: 1 AMP.  
Dielectric Withstanding Voltage: AC 750V For 1 minute.  
Insulator Resistance: 10000MΩ min.at DC 500V.  
Contact Resistance: 20mΩ max.at DC 100mA.  
Operating Temperature: -55°C ~ +125°C.

**\*RoHS Compliant**

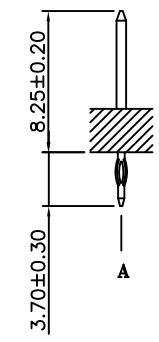


CONTACT LAYOUT



P.C. Board Layout  
(Top View)

Series 9111- 7 1 A 154 A C xx U  
7Row  
1: Male  
A: Type A  
Housing Type  
A:A Option  
U: Tube Package  
10: 10 u"  
30: 30 u"  
C: Dip Tin  
Contact Gold  
G: Gold



|             |            |                 |       |                                      |  |  |     |
|-------------|------------|-----------------|-------|--------------------------------------|--|--|-----|
| Tolerances  | Dwg. No.   | 9111D71011      |       | Title:                               | 9111 Series  |  |     |
| x = ±0.5    | Projection | ⊕ ⊖             |       | Hard Metric Connector<br>Male Type A | <br><b>DUPIIN ELECTRONIC(KUNSHAN) CO., LTD.</b><br>P/N: 9111-71A154ACxxU |  |     |
| .x = ±0.25  | Unit       | mm              | Scale |                                      |  |  | 1:1 |
| .xx = ±0.15 | Drawn By   | Zhu QL 08/02'12 |       |                                      |  |  |     |

|       |     |         |    |
|-------|-----|---------|----|
| SHEET | 1/1 | Ver.No. | R1 |
|-------|-----|---------|----|