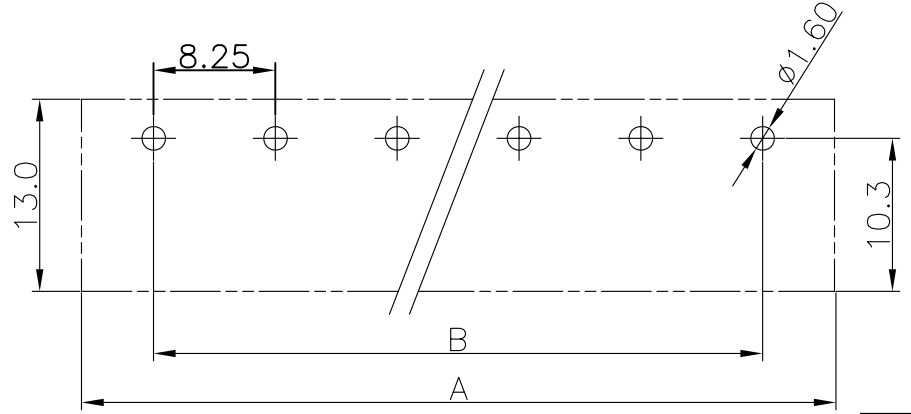
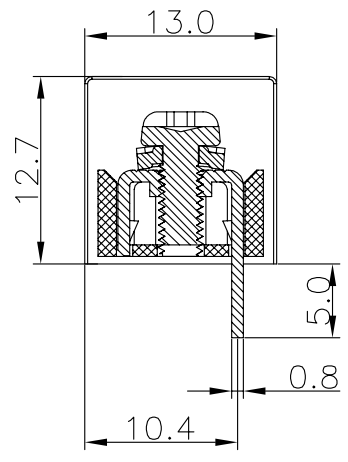
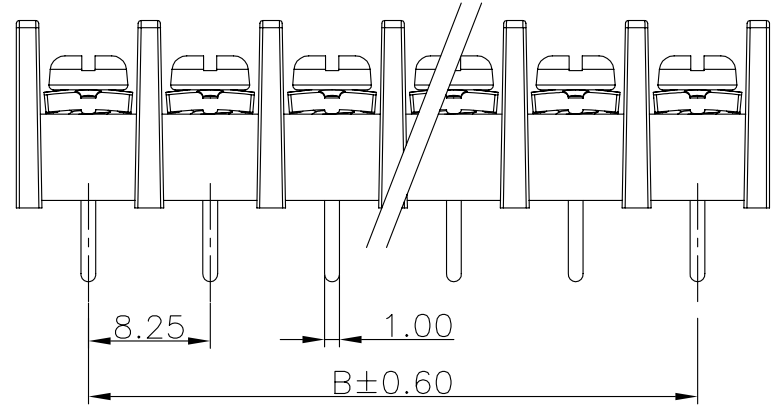
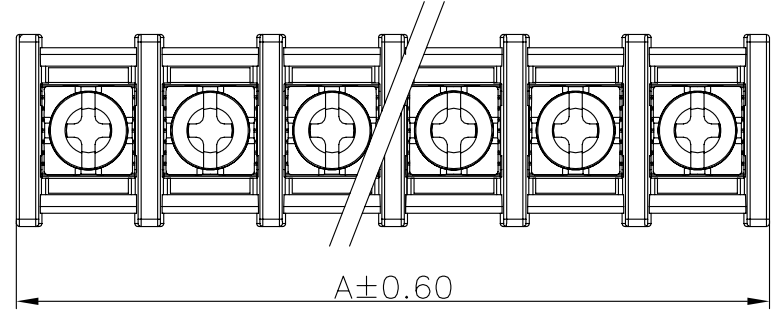


REV.	SPECIFICATION	ECN NO.	APPD.



P.C. Board Layout

Material:
Housing: Thermoplastic Polyester UL94V-0,Black.
Terminal: Copper Alloy, Tin Plated.
Terminal Screw: Metal, Zinc Plated. M3.

Electrical Characteristics:
Current Rating: 20A.
Rated Rating: 300V.
Withstand Volatage: AC 2000V min.
Insulation Resistance: 1000MΩ min.at DC 500V
Wire Range: 12-22 AWG.
Operating Temperature: -40°C~115°C

***RoHS Compliant**

8936- K 127130 N 2 1 CD xx S B
Series K:Pitch Manufacturing N:W/O 2:Footprint Dip 5.0mm CD:W/O No.of S: Straight B:Box
8.25mm Code Cover Flange Positions Package

Position	2 Thru 20
Dimension	
A	No. of Position X 8.25 + 1.72
B	(No. of Position - 1) X 8.25

Tolerances	Dwg. No.	8936D02001	Title:		OUPIIN OUPIIN ELECTRONIC(KUNSHAN) CO., LTD. P/N: 8936-K127130N21CDxxSB
x = ±0.5	Projection		8936 Series		
.x = ±0.30	Unit	mm	Scale	1:1	
.xx = ±0.15	Drawn By	Peggy 08/07'13	8.25mm Terminal Block		
			①780	SHEET	1/1
				Ver.No.	A2