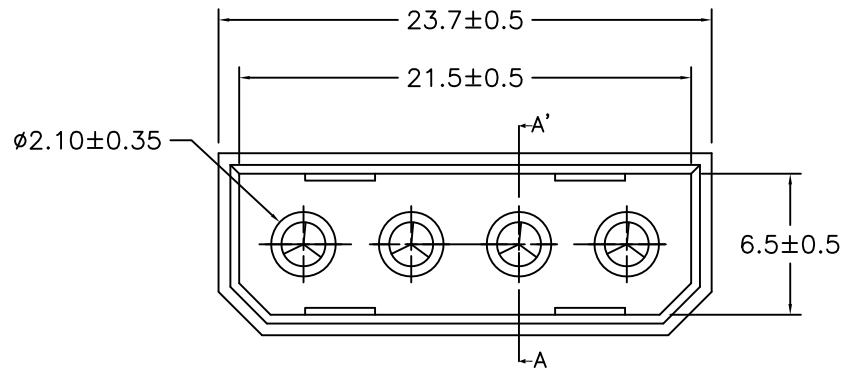
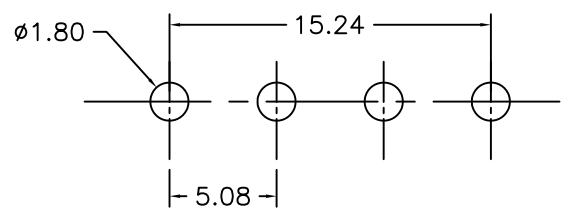
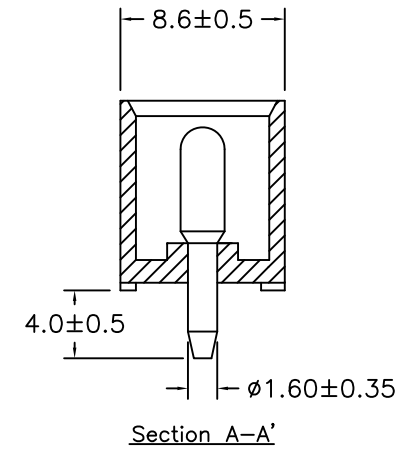
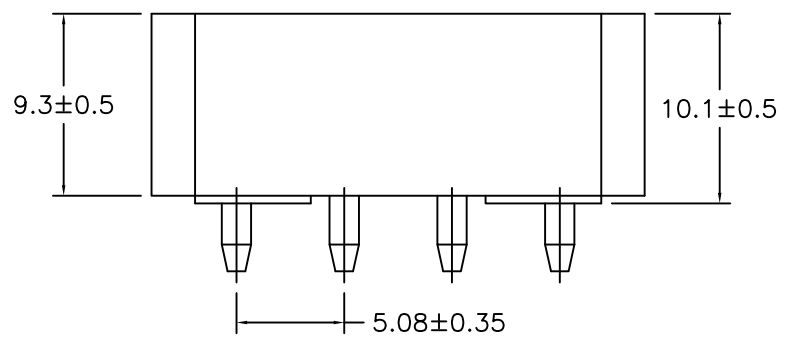


REV.	SPECIFICATION	ECN NO.	APPD.



Material:
Housing: Thermoplastic Polyester Glass Filled UL94V-2.
Contacts: Copper Alloy.
Electrical Characteristics:
Current Rating: 7 AMP.
Dielectric Withstanding Voltage: AC 1500V For 1 minute.
Insulator Resistance: 1000MΩ min. at DC 500V.
Contact Resistance: 10mΩ max. at DC 100mA.
Operating Temperature: -25°C~+85°C .
***RoHS Compliant**



P.C.Board Layout

4874- 04 T S B
Series No. of Pin Count T: Tin Plated S: Straight B: Bulk Package

Tolerances x = ±0.50 .x = ±0.25 .xx = ±0.15	Dwg. No.	4874D01003		Title: 4874 Series 5.08mm 4P Power Supplier Header	 OUPIIN ELECTRONIC(KUNSHAN) CO., LTD. P/N: 4874-04TSB			
	Projection							
	Unit	mm	Scale		1:1	SHEET	1/1	Ver.No.
Drawn By	Vic Lyu12/12'14			704				