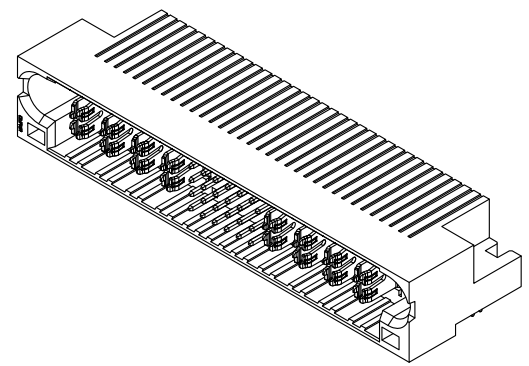


REV.	SPECIFICATION	ECN NO.	APPD.
R2			



Material:

Housing: High Temperature Plastic UL94V-0.
 Contacts: Copper Alloy
 Lock: Copper Alloy

Electrical Characteristics:

Current Rating: Signal Pin 2.5 AMP.
 Power Pin 30 AMP.
 Dielectric Withstanding Voltage:
 Signal Pin DC 1000V For 1 minute.
 Power Pin DC 2500V For 1 minute.
 Insulator Resistance: Signal Pin 5000MΩ min. at DC 500V.
 Power Pin 20000MΩ min. at DC 500V.
 Contact Resistance: Signal Pin 15mΩ max. at DC 20mA.
 Power Pin 0.7mΩ max. at DC 20mA.
 Operating Temperature: -40°C ~+105°C.

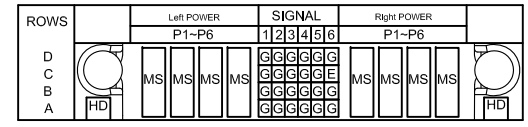
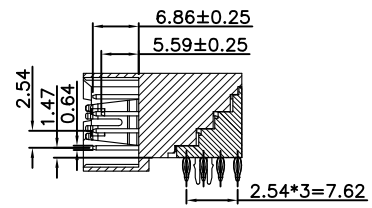
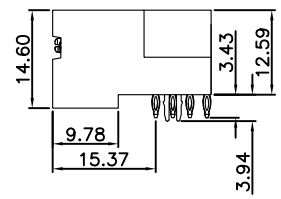
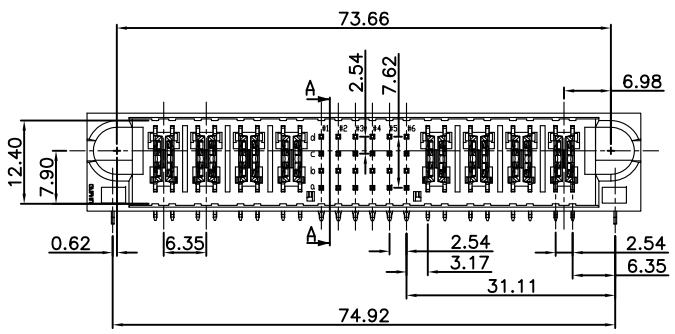
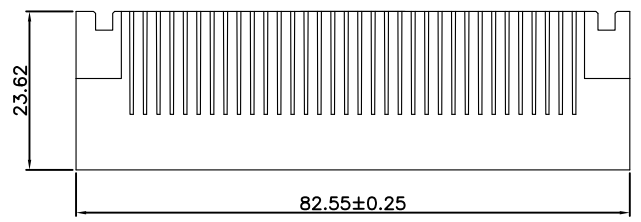
***RoHS Compliant**

Notes 1:

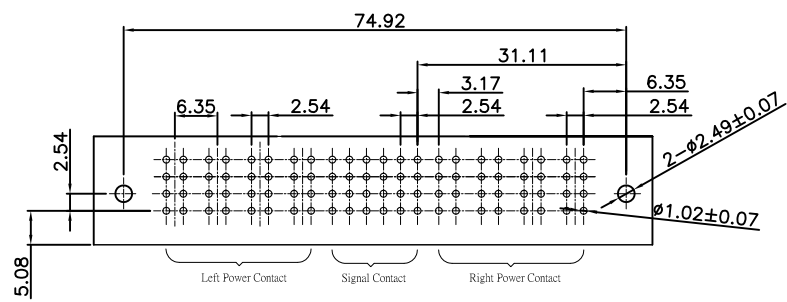
H: High density Power--PCB Mount 5.08mm Pitch
 P: DC Power--PCB Mount 6.35mm Pitch
 A: AC Power--PCB Mount 7.62mm Pitch
 S: Signal--PCB Mount 2.54mm Pitch

Notes 2:

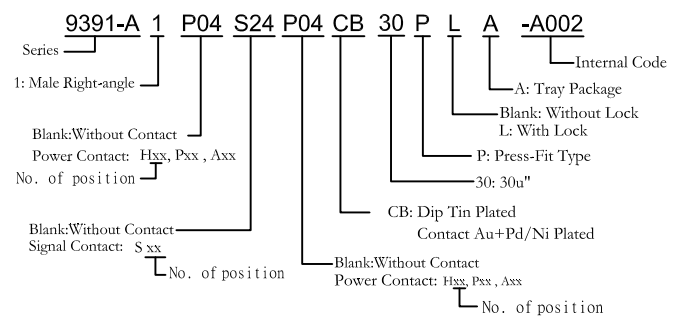
c6 Contact Length is 5.59mm.
 Other Pin Contact Length is 6.86mm.



SIGNAL PIN CONTACT LENGTH 4.32mm	H
SIGNAL PIN CONTACT LENGTH 5.59mm	E
SIGNAL PIN CONTACT LENGTH 7.05mm	F
SIGNAL PIN CONTACT LENGTH 6.86mm	G
HOT PLUG POWER CONTACT,STD	MS



P.C.Board Layout
(Tolerance:±0.05)



Tolerances	Dwg. No.	9391-D0000-060	
x = ±0.5	Projection	⊕ ◀	
.x = ±0.25	Unit	mm	Scale 1:1
.xx = ±0.15	Drawn By	zbs 04/25'16	

Title: 9391 Series
 Male Right-angle Type

OUPIN			
OUPIN ELECTRONIC(KUNSHAN) CO., LTD.			
P/N:9391-A1P04S24P04CB30PLA-A002			
SHEET	1/1	Ver. No.	R2