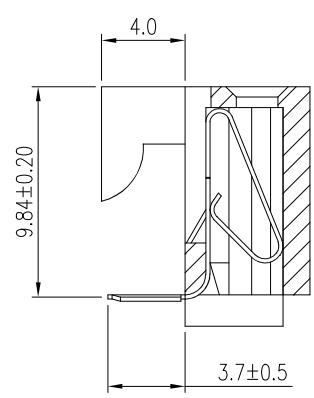
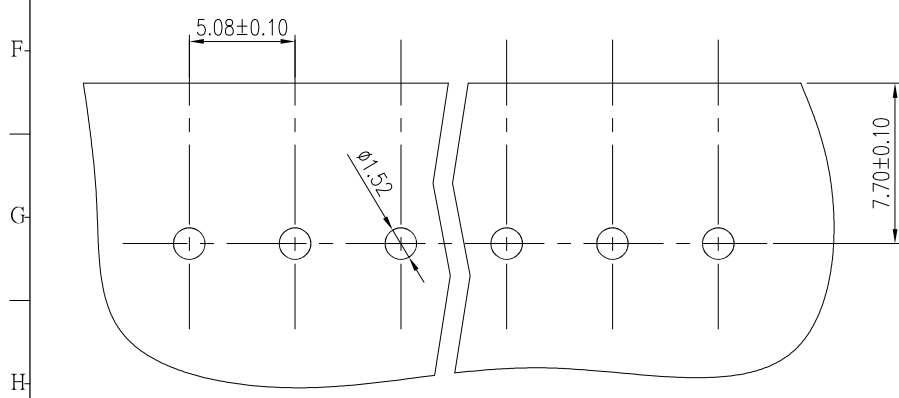
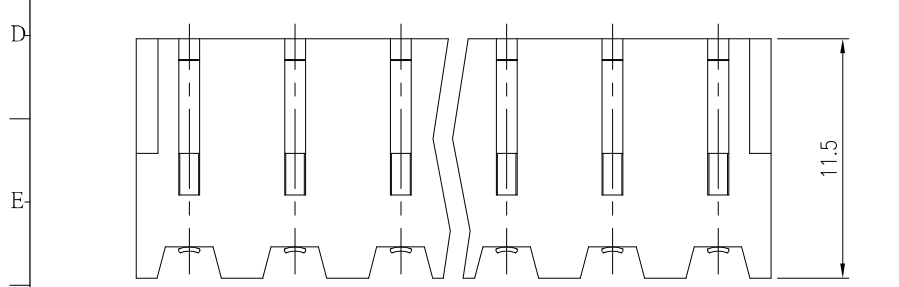
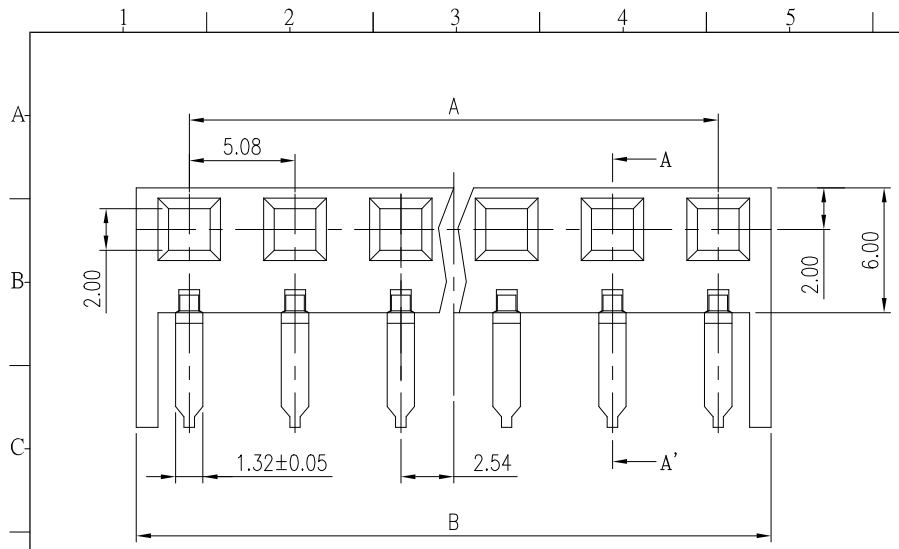


REV.	SPECIFICATION	ECN NO.	APPD.



Section A-A'

4873- xx T R A
 Series No. of Positions T: Tin Plated R: Right Angle A: Tray Package

Material:
 Housing: PA66, UL94V-2, White.
 Contacts: Brass, 100u" Tin Plated over Nickel 50u".

Electrical Characteristics:
 Current Rating: 5AMP
 Voltage Rating: 250V.
 Withstanding Voltage : 1500V.
 Insulation Resistance : 1500MΩ min.
 Operating Temperature: -40°C ~+105°C .

***RoHS Compliant**

Positions	A	B
02	5.08±0.10	10.16±0.15
03	10.16±0.10	15.24±0.15
04	15.24±0.10	20.32±0.15
05	20.32±0.15	25.40±0.20
06	25.40±0.15	30.48±0.20
07	30.48±0.20	35.56±0.20
08	35.56±0.20	40.64±0.20
09	40.64±0.20	45.72±0.20
10	45.72±0.20	50.80±0.20
11	50.80±0.20	55.88±0.25
12	55.88±0.25	60.96±0.25
13	60.96±0.25	66.04±0.30
14	66.04±0.25	71.12±0.30
15	71.12±0.25	76.20±0.30
16	76.20±0.25	81.28±0.30
17	81.28±0.30	86.36±0.30
18	86.36±0.30	91.44±0.30
19	91.44±0.30	96.52±0.30
20	96.52±0.30	101.60±0.30

Tolerances	Dwg. No.	4873D02001	Title:		 OUPIIN ELECTRONIC(KUNSHAN) CO., LTD. P/N: 4873-xxTRA
.x = ±0.30	Projection		4873 Series		
.xx = ±0.20	Unit	mm	Scale	1:N	
.xxx = ±0.10	Drawn By	Martin 08/18'23	5.08mm Pitch Right Angle Type		
			760	SHEET	1/1
				Ver.No.	A6