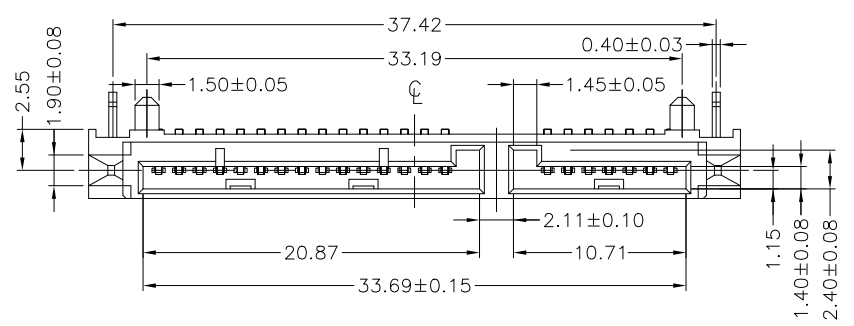
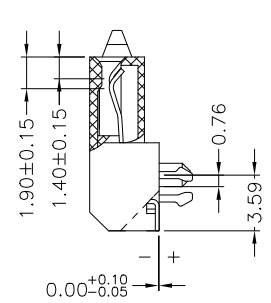
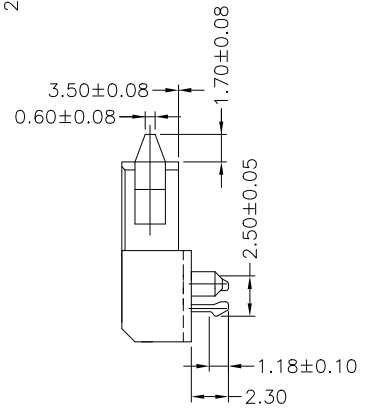
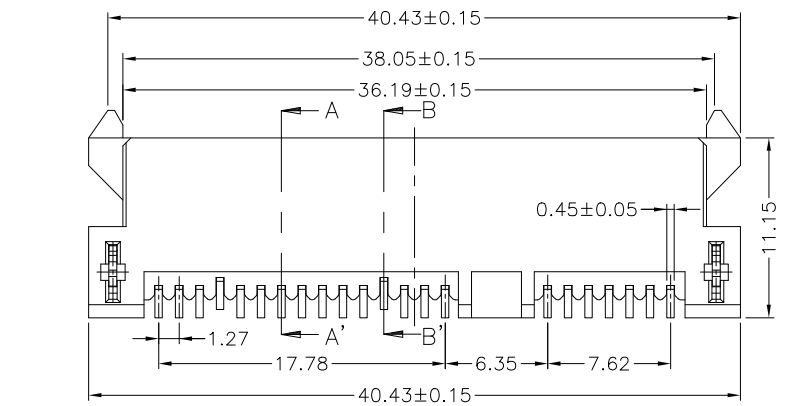


REV.	SPECIFICATION	ECN NO.	APPD.

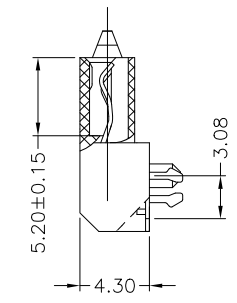


**Material:**  
Housing: LCP, UL94V-0, Black.  
Contacts: Phosphor Bronze, Gold Plated on Contact Area and Tin 100u" Plated over Nickel 40u".  
Lock: Brass, 100u" Tin Plated over Nickel 50u".

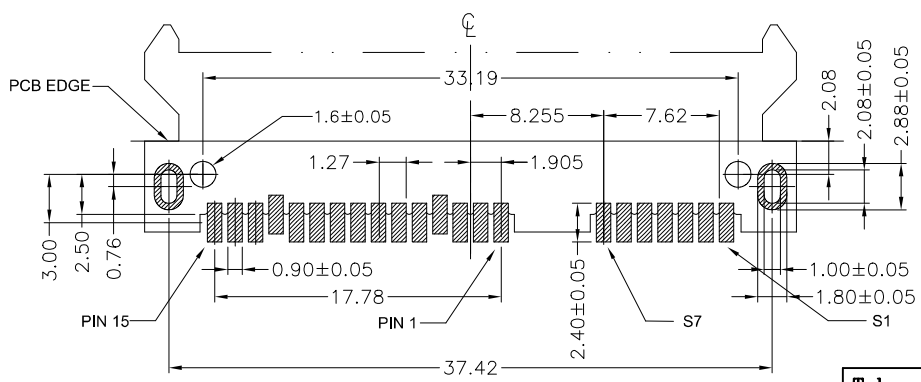
**Electrical Characteristics:**  
Current Rating: 1.5 AMP.  
Dielectric Withstanding Voltage: AC 500V .  
Insulation Resistance: 1000MΩ min.  
Contact Resistance: 30mΩ max.  
Operating Temperature: -55°C~+85°C.  
**\*RoHS Compliant**



Section A-A'



Section B-B'



P.C.Board Layout

**7904- 22 F C 15 D B 1 U**

Series — 7904-  
Positions — 22  
Female — F  
C: Selective Gold Plated  
15: 15 u"  
D: SMD Type  
B: Reverse Type  
1: Housing Height 4.3mm  
U: Tube Package  
T: Tape & Reel Package

Power Segment	
Name	Type
P1	V3.3
P2	V3.3
P3	V3.3
P4	GND
P5	GND
P6	GND

Signal Segment			
Name	Type		
S1	GND	P8	V5
S2	A+	P9	V5
S3	A-	P10	GND
S4	GND	P11	DAS/DSS
S5	B-	P12	GND
S6	B+	P13	V12
S7	GND	P14	V12
		P15	V12

<b>Tolerances</b>	<b>Dwg No.</b>	7904D02001
.x = ±0.35	<b>Projection</b>	
.xx = ±0.25	<b>Unit</b>	mm
.xxx = ±0.15	<b>Scale</b>	1:1
	<b>Drawn By</b>	Martin 03/23'23

**Title:**  
7904 Series  
SATA 7+15P R/A H4.3  
Female Reverse SMD Type

**OUPIIN**  
**OUPIIN ELECTRONIC(KUNSHAN) CO., LTD.**  
P/N: 7904-22FC15DB1U

<b>SHEET</b>	1/1	<b>Ver.No.</b>	A7
--------------	-----	----------------	----