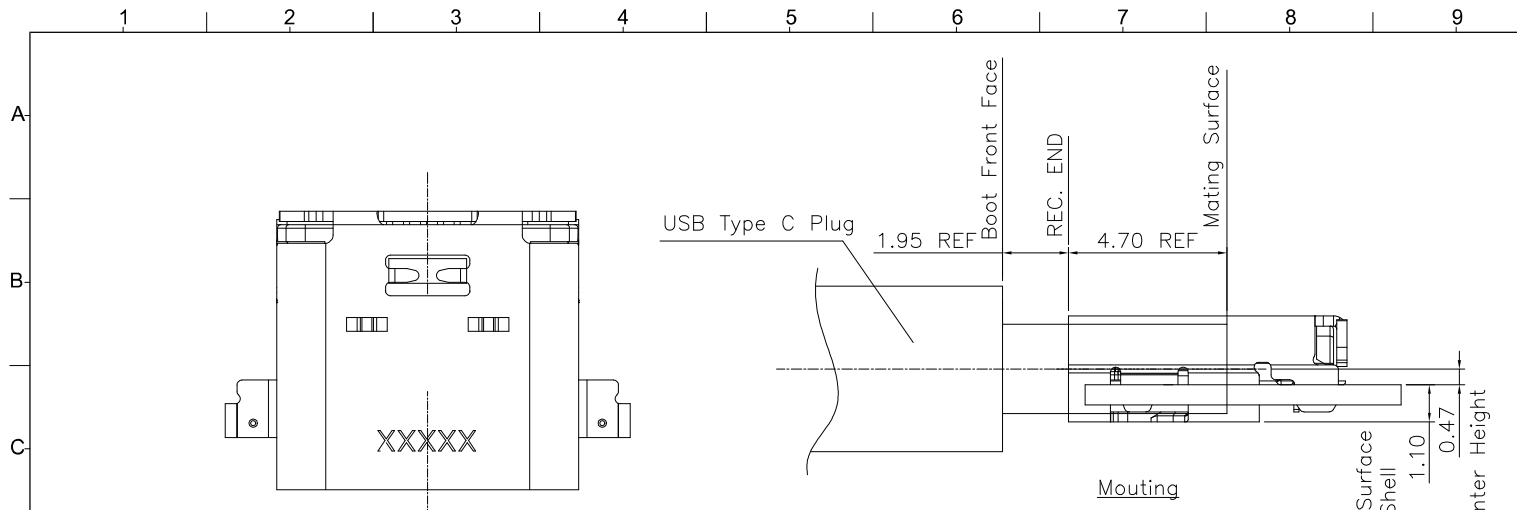
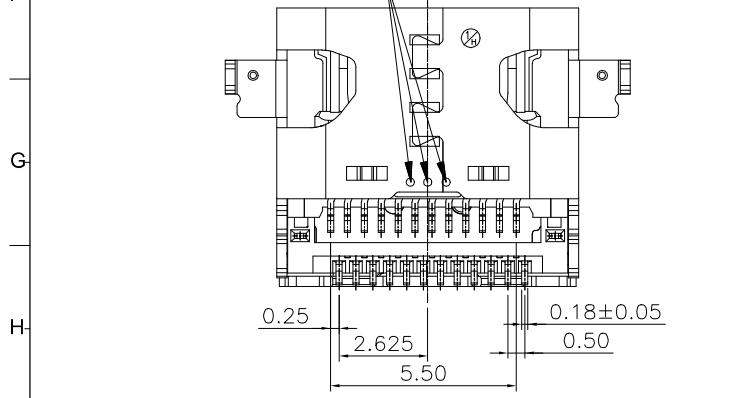
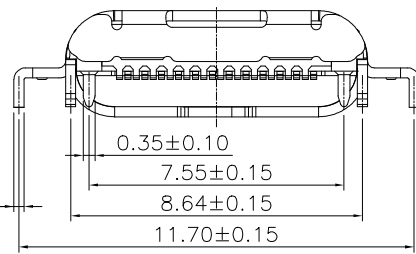
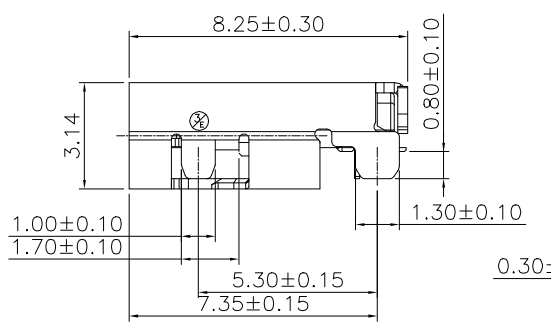
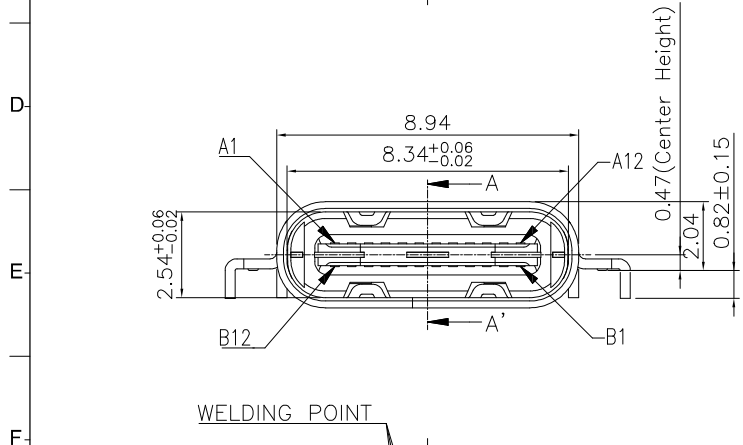




REV.	SPECIFICATION	ECN NO.	APPD.



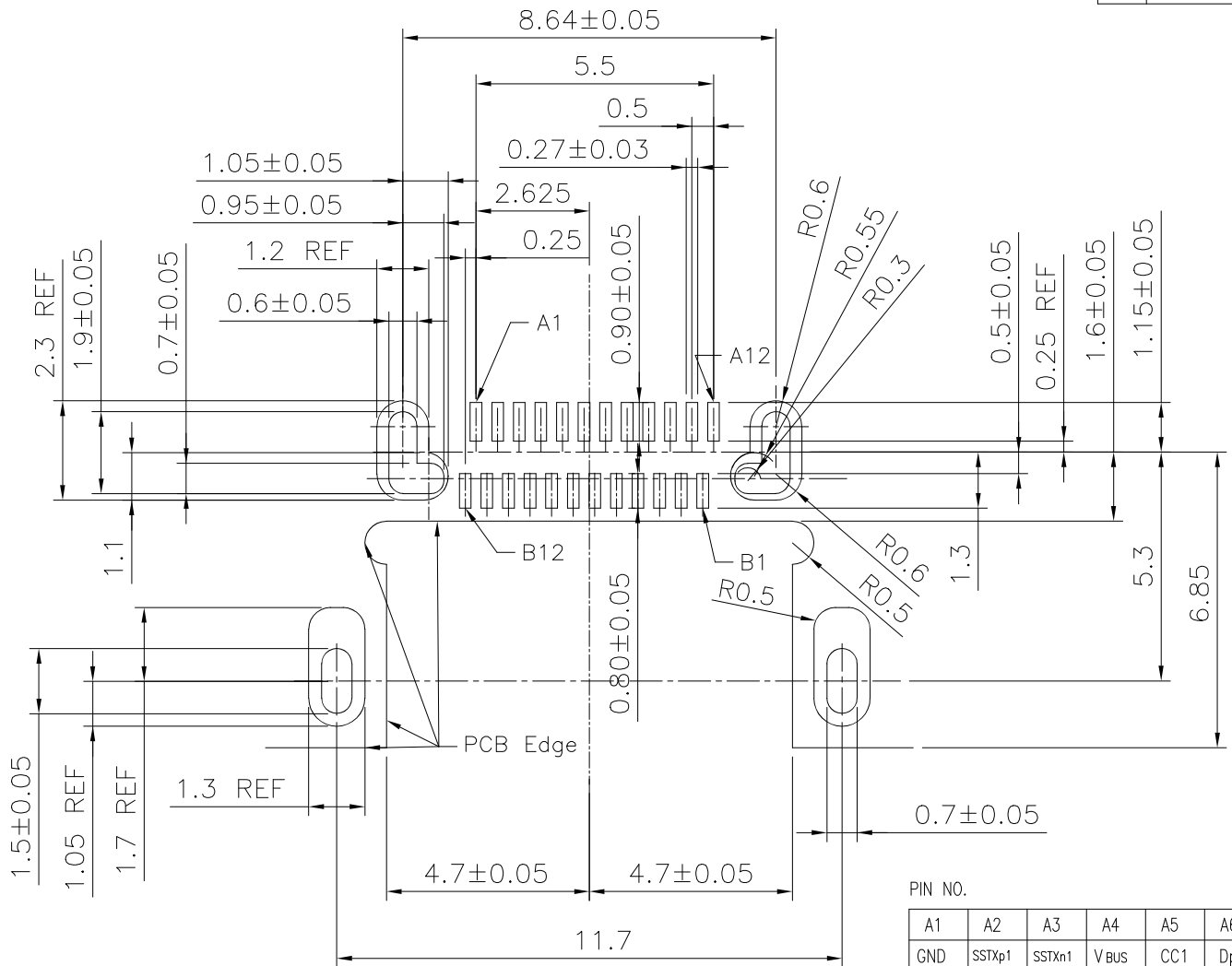
Material:
Housing: LCP, UL94V-0, Black.
Contacts: C18150, Gold Plated on Contact Area and 80~120u" Matte Tin Plated over Nickel 80u".
Shell: Stainless Steel, 50u" Nickel Plated.
Mid Plated: Stainless Steel, 50u" Nickel Plated.
Ground: Stainless Steel.
Electrical Characteristics:
Current Rating: 6.70A for VBUS.
(i.e., Pins A4,A9,B4,B9)
0.35A for Vconn(i.e., Pins B5)
7.05A for GND.
(i.e., Pins A1,A12,B1,B12)
0.20A for all the others contacts.
Dielectric Withstanding Voltage: AC 100V min.
Insulator Resistance: 100MΩ min. at DC 250V.
Contact Resistance: 40mΩ max.
Operating Temperature: -55°C~+85°C.
***Data Rate: 10Gbps**
***RoHS Compliant.**



8975-C **24** **Cxx** **D** **B** **5** **N** **T**
Series Position C00: Selective Gold Plated Gold Flash D: SMD Type B: Black 5: Type 5 N: Without Post T: Tape & Reel Package
C30: Selective Gold Plated 30u"

Tolerances	Dwg No.	8975D02002		Title:	8975 Series		 OUPIN ELECTRONIC(KUNSHAN) CO., LTD. P/N: 8975-C24C30DB5NT				
.X = ±0.30	Projection			USB 3.2 Gen2 10Gbps							
.XX = ±0.20	Unit	mm	Scale	1:N		Type C SMD Type		SHEET	1/2	Ver. No.	A5
.XXX = ±0.10	Drawn By	Martin 12/21'23		① 661							

REV.	SPECIFICATION	ECN NO.	APPD.



P.C.Board Layout

PIN NO.											
A1	A2	A3	A4	A5	A6	A7	A8	A9	A10	A11	A12
GND	SSTXp1	SSTXn1	VBUS	CC1	Dp1	Dn1	SBU1	VBUS	SSRXn2	SSRXp2	GND
GND	SSRXp1	SSRXn1	VBUS	SBU2	Dn2	Dp2	CC2	VBUS	SSTXn2	SSTXp2	GND
B12	B11	B10	B9	B8	B7	B6	B5	B4	B3	B2	B1

Tolerances	Dwg No.	8975D02002		Title:	8975 Series			
.X = ±0.30	Projection	⊕ ⊖		USB 3.2 Gen2 10Gbps				
.XX = ±0.20	Unit	mm	Scale	Type C SMD Type				
.XXX = ±0.10	Drawn By	Martin 12/21'23		661	SHEET	2/2	Ver. No.	A5

OUPIIN
OUPIIN ELECTRONIC(KUNSHAN) CO., LTD.
P/N: 8975-C24C30DB5NT