

REV.	SPECIFICATION	ECN NO.	APPD.

Material:

Housing: PA66, UL94V-2 or PA46, UL94V-0, Natural.
 Contacts: Brass, 80~100u" Tin Plated over Nickel 25u" Min.

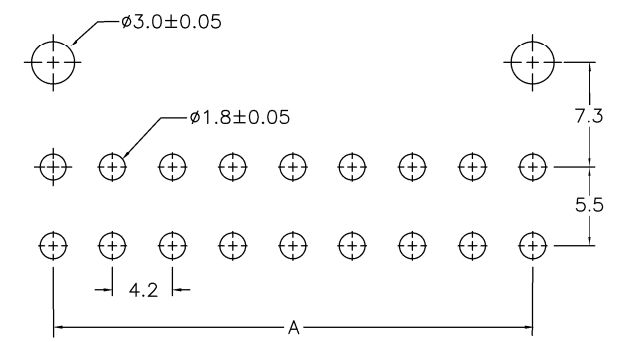
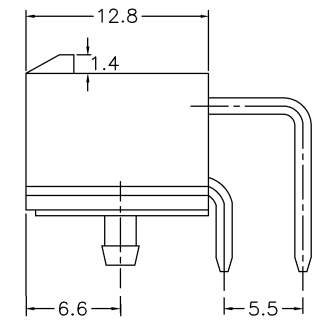
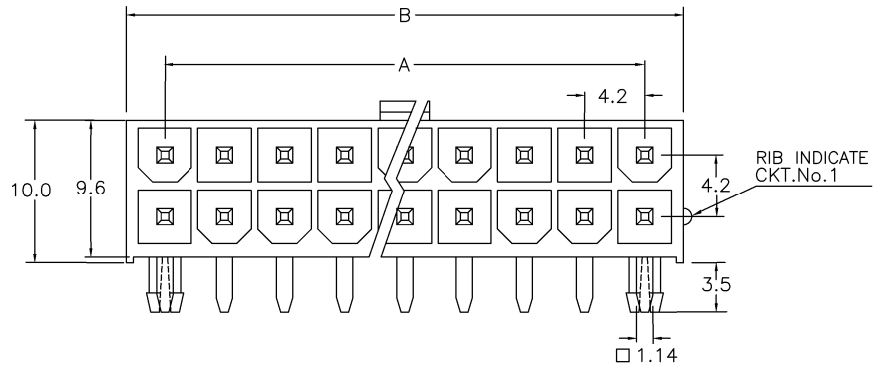
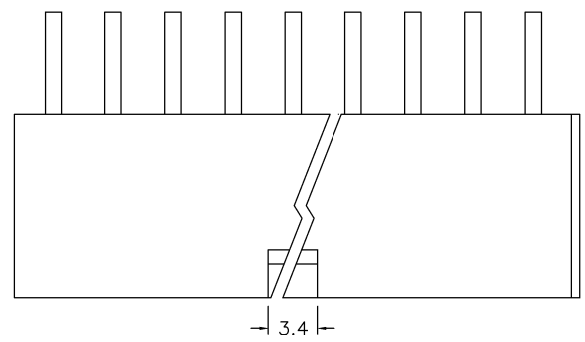
Electrical Characteristics:

Voltage Rating: AC/DC 600V RMS.
 Current Rating: (Used With #18 AWG)

Circuits	2	4~6	8~10	12~24
Ampere	9 A	8 A	7 A	6 A

Dielectric Withstanding Voltage: AC 1500V.
 Insulation Resistance: 1000M Ω min.
 Contact Resistance: 10m Ω max.
 Operating Temperature: -40°C~+105°C.

***RoHS Compliant**



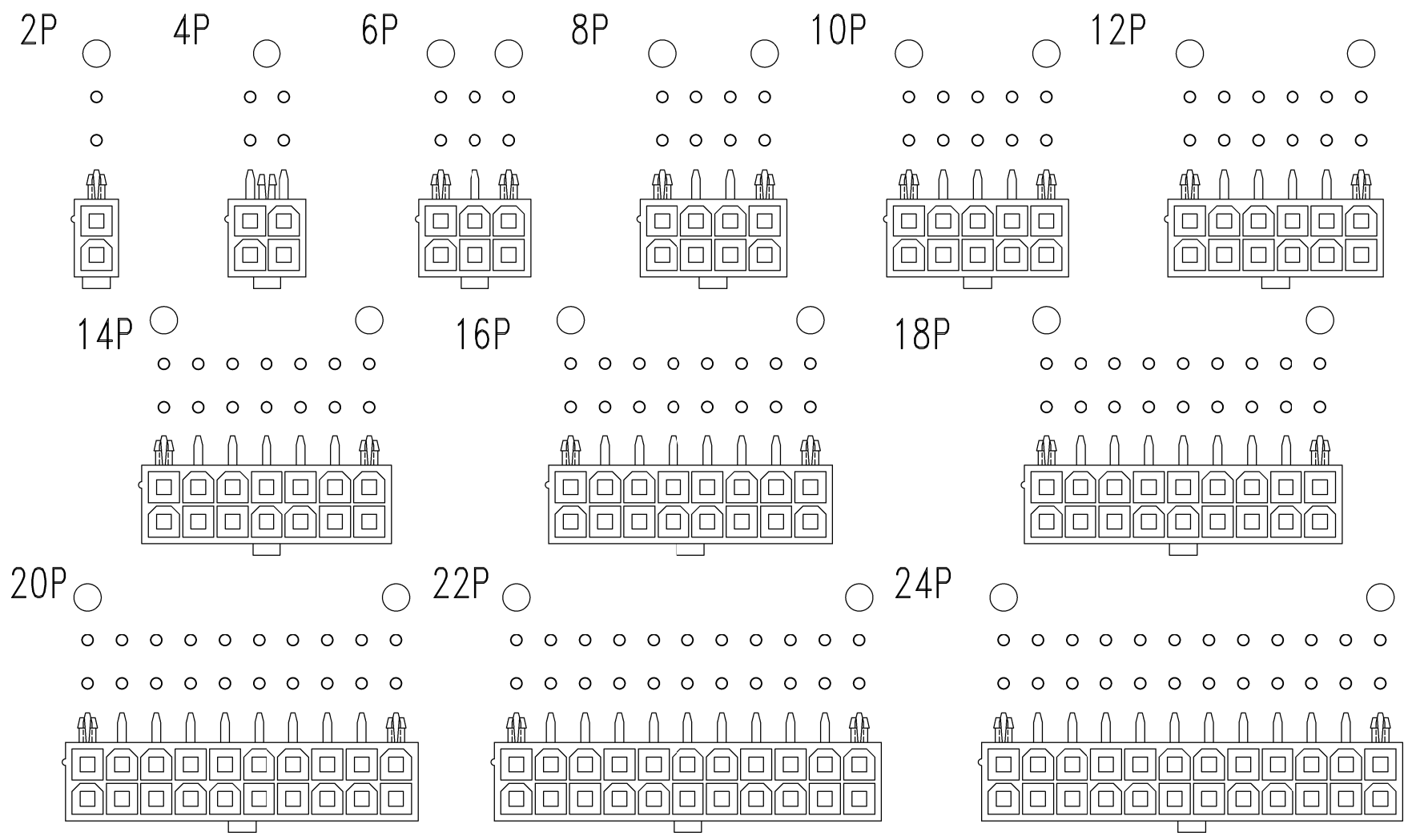
P.C. Board Layout
 (Recommended Thickness: 1.78mm Max.)


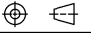
4973- xx T R N B -HT
 Series ————
 No. of Positions ————
 T: Tin Plated ————
 R: Right Angle ————
 Blank: PA66
 HT: PA46
 B: Bulk Package
 N: With Post
 W/O Mounting Ear

Position	Dimension	
	A	B
02	/	5.4
04	4.2	9.6
06	8.4	13.8
08	12.6	18.0
10	16.8	22.2
12	21.0	26.4
14	25.2	30.6
16	29.4	34.8
18	33.6	39.0
20	37.8	43.2
22	42.0	47.4
24	46.2	51.6

Tolerances .x = ±0.40 .xx = ±0.25 .xxx = ±0.08	Dwg. No.	4673D02001		Title: 4973 Series 4.2mm Wire to Board Right Angle Header With Mounting Pegs ① 667	 OUPIN ELECTRONIC(KUNSHAN) CO., LTD. P/N: 4973-xxTRNB-HT SHEET 1/2 Ver.No. B9
	Projection	⊕ ↯			
	Unit	mm	Scale	1:N	
	Drawn By	Martin 04/12'22			

REV.	SPECIFICATION	ECN NO.	APPD.



Tolerances .x = ±0.40 .xx = ±0.25 .xxx = ±0.08	Dwg. No. 4673D02001		Title: 4973 Series		 OUPIIN ELECTRONIC(KUNSHAN) CO., LTD.
	Projection 		4.2mm Wire to Board		
	Unit mm	Scale 1:N	Right Angle Header With Mounting Pegs		SHEET 2/2
	Drawn By Martin	04/12'22	① 667		Ver.No. B9