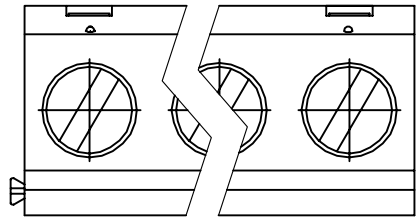
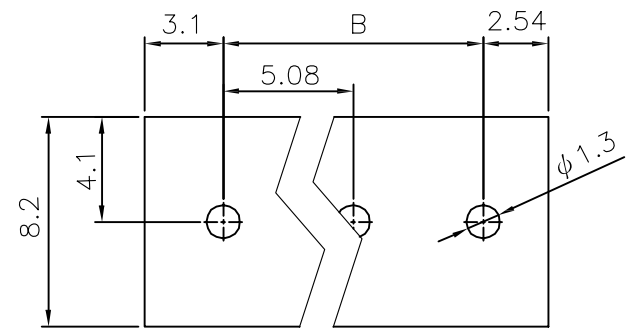
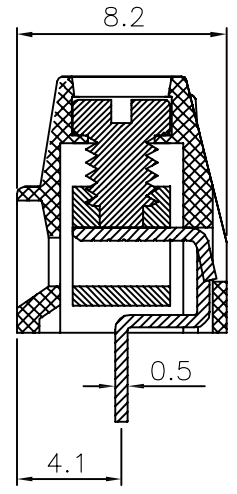
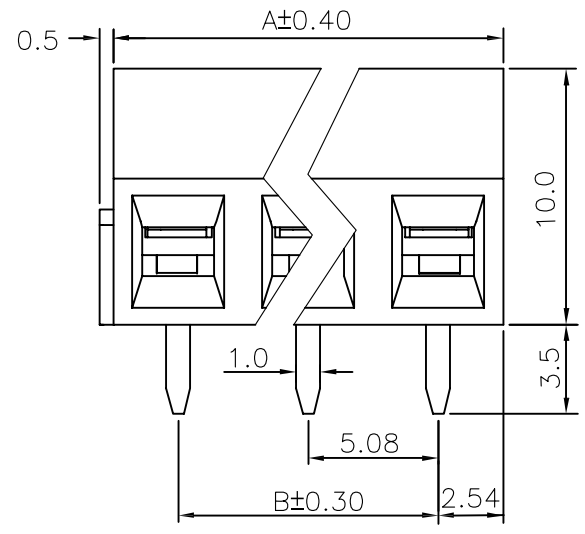


REV.	SPECIFICATION	ECN NO.	APPD.



Material:
Housing:Thermoplastic Polyester UL94V-0.
Solder Pin: Copper Alloy,Tin Plated.
Clamp: Copper Alloy,Ni Plated.
Screw: Metal,Zinc Plated,M3.
Electrical Characteristics:
Voltage Rating: 300V
Current Rating: 10A
Solid Wire(AWG): 16-26
Stranded Wire(AWG): 16-26
Torque(Lb-In): 3.5
Wire Strip Length: 6-7mm
Withstanding Voltage: 1.6KV
Operating Temperature: -40°C~+115°C
***RoHS Compliant**



P.C. Board Layout

8932- G **082100** G AA xx S B
 Series G:Pitch Manufacturing G:Green AA:Slotted No. of S:Straight B:Bulk Package for 2~4Pos.
 5.08mm Code B:Black "—"Screw Positions Box Package for 5~24Pos.
 Y:Grey
 U:Blue

Position	2 Thre 24
Dimension	
A	No.of Positions*5.08
B	(No.of Positions-1)*5.08

Tolerances	Dwg. No.	8932D02004	Title:		8932 Series 5.08mm Terminal Block (8800-xxTS11-01)	 OUPIIN ELECTRONIC(KUNSHAN) CO., LTD. P/N: 8932-G082100GAAxxSB			
x = ±0.5	Projection								
.x = ±0.30	Unit	mm	Scale	1:1					
.xx = ±0.15	Drawn By	Peggy09/21'12		① 780					
SHEET		A1	Ver.No.	A3					