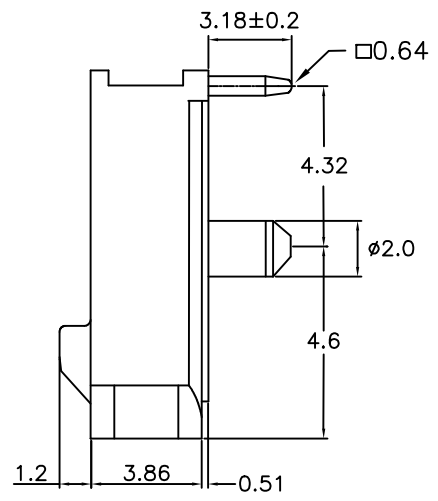
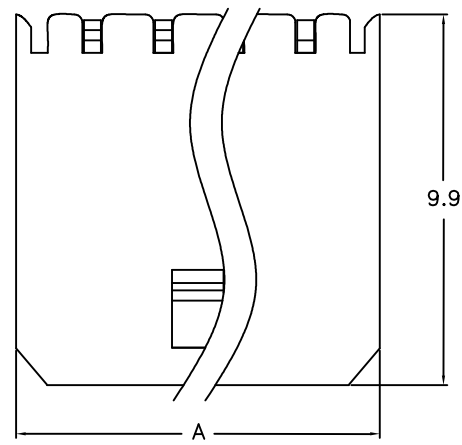


REV.	SPECIFICATION	ECN NO.	APPD.



Material:

Housing: LCP, UL94V-0.

Contact: Brass, 120~200u" Tin Plated over Nickel 30u".

Electrical Characteristics:

Current Rating:

Wire size	#20	#22	#24	#26	#28	#30
Ampere	5A	5A	4A	3A	2A	1A

Voltage Rating: 250V DC/AC RMS.

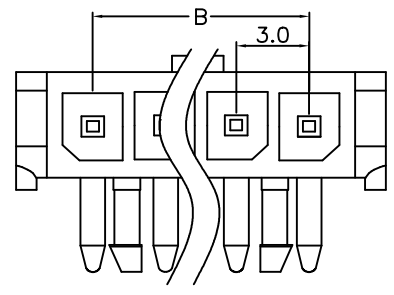
Dielectric Withstanding Voltage: 1500V AC.

Insulator Resistance: 1000MΩ min.

Contact Resistance: 10mΩ max. .

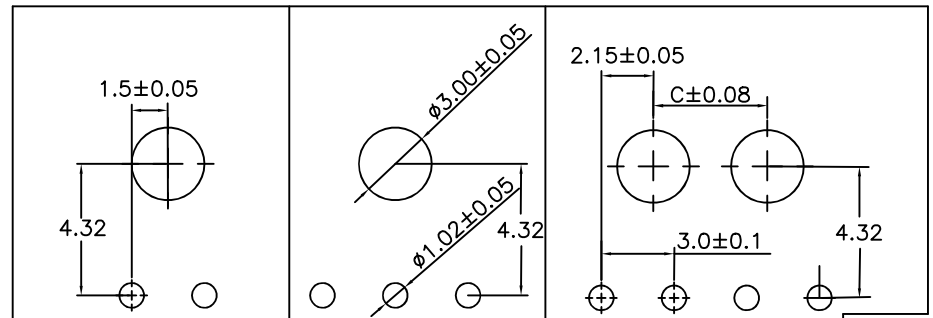
Operating Temperature: -25°C~+85°C.

***RoHS Compliant**



4976- 1 X xx T R B
 Series Single No. of Position T: Tin Plated R:Right Angle B: Bulk Package
 Row

Dimension			
Positions	A	B	C
02	9.65	3.00	
03	12.65	6.00	
04	15.65	9.00	4.70
05	18.65	12.00	7.70
06	21.65	15.00	10.70
07	24.65	18.00	13.70
08	27.65	21.00	16.70
09	30.65	24.00	19.70
10	33.65	27.00	22.70
11	36.65	30.00	25.70
12	39.65	33.00	28.70



P.C. Board Layout

Tolerances	Dwg. No.	4976D01005		Title:
x = ±0.50	Projection	⊕ ⊖		4976 Series
.x = ±0.25	Unit	mm	Scale	3.0mm Wafer Dip
.xx = ±0.15	Drawn By	Martin	02/23'22	Right Angle

0667

DUPIIN
 OUPIN ELECTRONIC(KUNSHAN) CO., LTD.
 P/N: 4976-1XxxTRB
 SHEET 1/1 Ver.No. B7