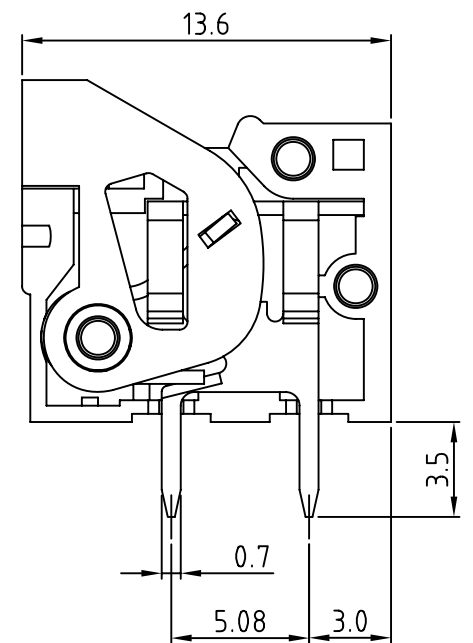
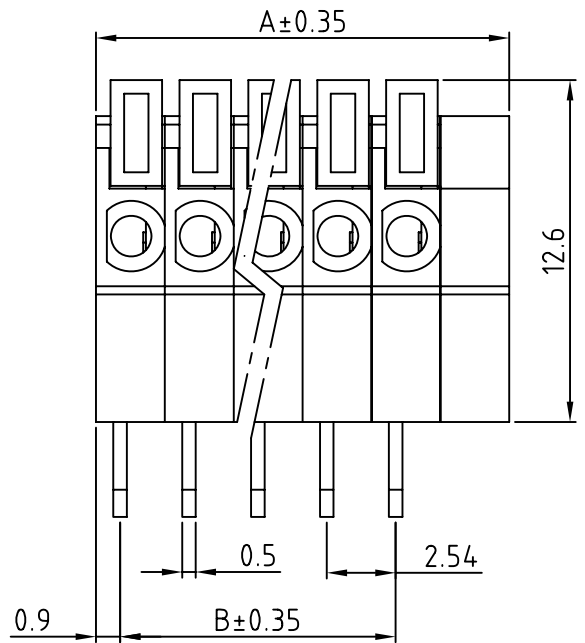


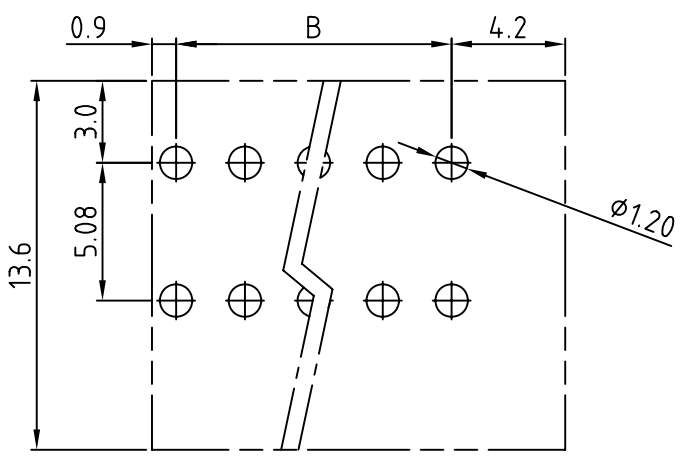
REV.	SPECIFICATION	ECN NO.	APPD.



Material:
Housing: Thermoplastic Polyester Glass Filled UL94V-0.
Solder Pin: Copper Alloy, Tin Plated.
Wire quard: Metal.

Electrical Characteristics:
Voltage Rating: 150V
Current Rating: 2A
Solid Wire(AWG): 20~26
Standed Wire(AWG): 20~26
Wire strip length: 9~10mm
Withstanding Voltage: 1.3KV
Operating Temperature: -30°C~+105°C

***RoHS Compliant**



P.C. Board Layout

8935- Series B: Pitch 2.54mm 126136 Manufacturing Code G: Green O: Orange Y: Grey xx: No. of Positions R: Right Angle B: Box Package

Position	2 Thru 24
Dimension	
A	(No. of Positions + 1) * 2.54
B	(No. of Positions - 1) * 2.54

Tolerances	Dwg. No.	8935D02001	Title:		OUPIN OUPIN ELECTRONIC(KUNSHAN) CO., LTD. P/N: 8935-B126136GxxRB
x = ±0.5	Projection		8935 Series		
.x = ±0.30	Unit	mm	Scale	1:1	
.xx = ±0.15	Drawn By	Sunny 06/25'12	Scale	1:1	
			Ø780	8935 Series 2.54mm Terminal Block (8000-xxTS12-07)	
				SHEET	1/1
				Ver.No.	A3