

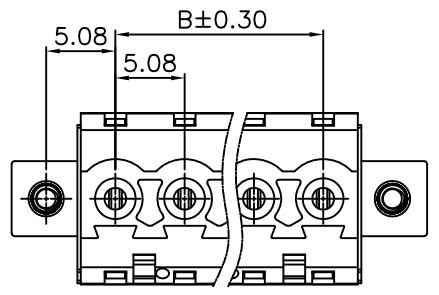
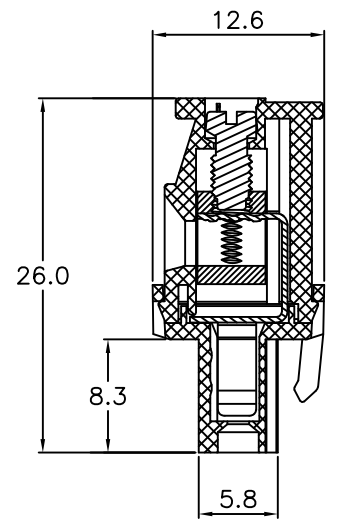
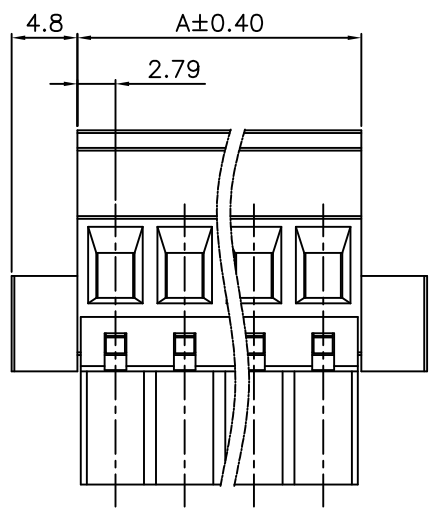
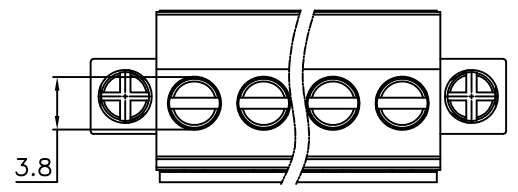
REV.	SPECIFICATION	ECN NO.	APPD.

Material:

Housing: Thermoplastic Polyester Glass Filled UL94V-0.
 Female Contacts: Copper Alloy, Tin Plated.
 Clamp: Copper Alloy, Ni Plated.
 Screw: Metal, Zinc Plated, M3.
 Flange Screw: Metal, Zinc Plated, M2.5

Electrical Characteristics:
 Voltage Rating: 300V AC.
 Current Rating: 15A.
 Solid Wire(AWG): 12-24.
 Stranded Wire(AWG): 12-24.
 Torque: 3.5 Lb-In.
 Wire Strip Length: 6-7mm.
 Withstanding Voltage: 1.6KV.
 Operating Temperature: -40°C~+115°C

***RoHS Compliant**



8933- G 126260 G AA CC xx B
 Series F:Pitch Manufacturing G:Green AA:Slotted CC:With Flange No. of B:Bulk Package
 5.08mm Code "—"Screw Right Hook Positions

Position	2 Thre 24
Dimension	
A	No. of PositionsX5.08+0.50
B	(No. of Positions-1)X5.08

Tolerances	Dwg. No.	8933D02023	Title:		 OUPIIN ELECTRONIC(KUNSHAN) CO., LTD. P/N: 8933-G126260GACCxxB SHEET 1/1 Ver.No. X2
x= ±0.50	Projection		8933 Series		
.x= ±0.30	Unit mm	Scale	5.08mm Terminal Block		
.xx= ±0.15	Drawn By	Peggy01/16'15	① 780		