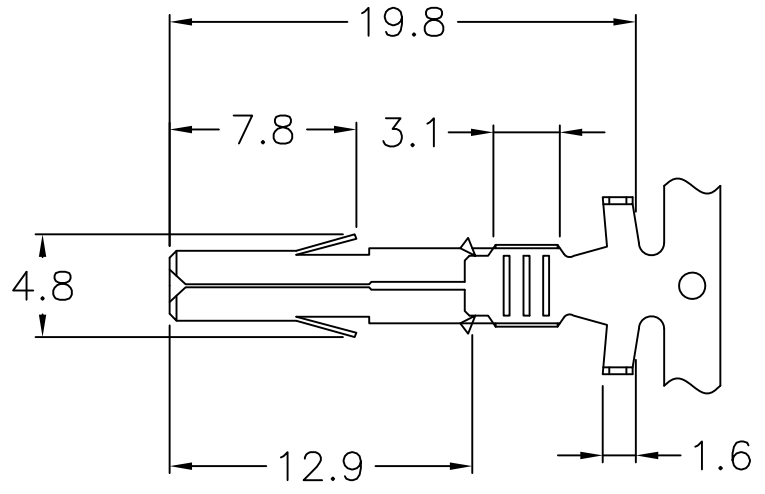
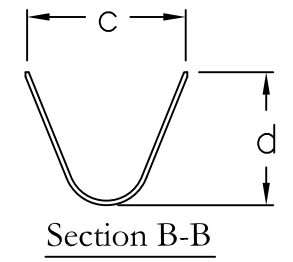
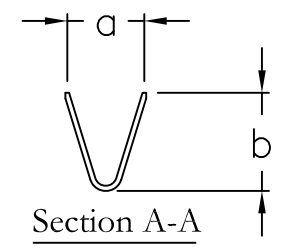
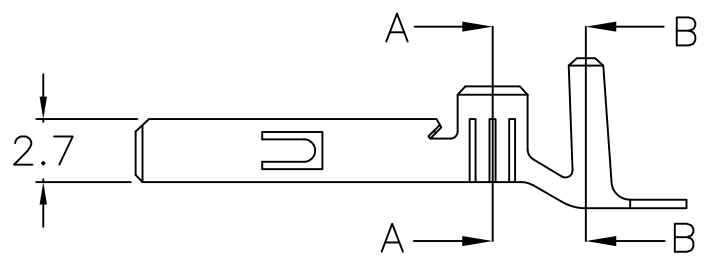


| | | | |
|------|---------------|---------|-------|
| REV. | SPECIFICATION | ECN NO. | APPD. |
| | | | |



Material:
Terminal: Brass, Tin Plated 80~120μ" over Nickel 20~30μ".

Electrical Characteristics:
Current Rating: 13A
Voltage Rating: 600V.
Operating Temperature: -55°C~+105°C.
***RoHS Compliant**



4977- PIN - F - 5K - Tx
Series F:Female 5K Pins Per Reel T1:Wire Range 18-22 AWG
T2:Wire Range 16-20 AWG

| Type | Wire Gauge | Dimension | | | |
|------|------------|-----------|-----|---------|---------|
| | | a | b | c | d |
| T1 | 18~22AWG | 2.4 | 2.4 | 3.4 | 3.4 |
| T2 | 16~20AWG | 2.9 | 3.5 | 4.5±0.4 | 4.5±0.4 |

| | | | | | | |
|--|-------------------|----------------|--------------|--|--|-----|
| Tolerances x = ±0.5 .x = ±0.25 .xx = ±0.15 | Dwg. No. | 4977P02001 | | Title: 4977 Series 6.35mm Crimp Terminal ① 732 | OUPIIN ELECTRONIC(KUNSHAN) CO., LTD. P/N: 4977-PIN-F-5K-Tx SHEET 1/1 Ver.No. A4 | |
| | Projection | ⊕ ↗ | | | | |
| | Unit | mm | Scale | | | 1:1 |
| | Drawn By | Scott 09/09'16 | | | | |