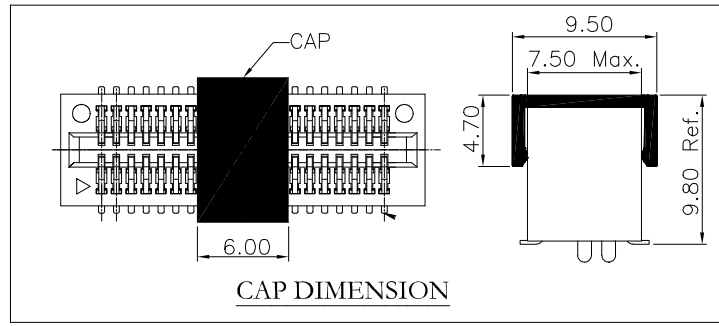
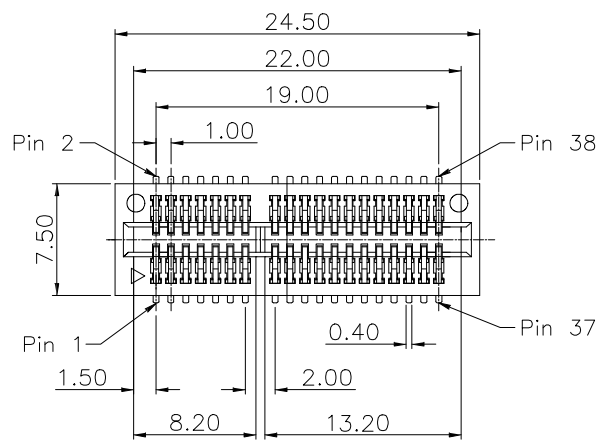
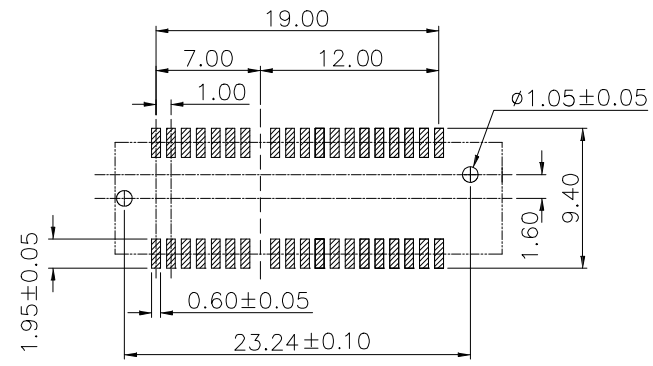
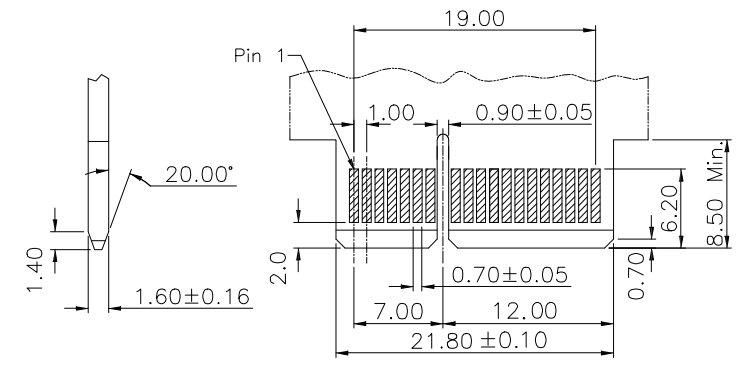
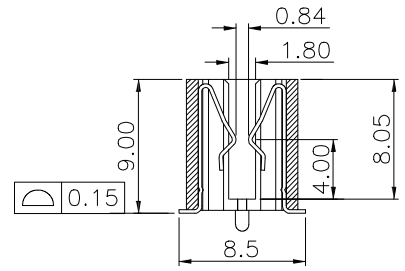
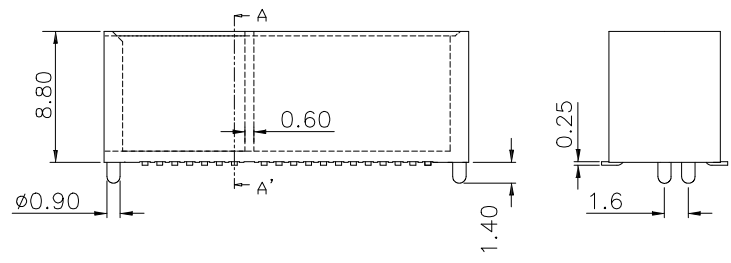


REV.	SPECIFICATION	ECN NO.	APPD.



Material:
Housing: LCP, UL94V-0.
Contacts: Phosphor Bronze, Gold Plated on Contact Area and 100u" Matte Tin Plated on Solder Tail over Nickel 50u".

Electrical Characteristics:
Current Rating: 1.1A.
Dielectric Withstanding Voltage: AC 500V.
Insulation Resistance: 1000MΩ min.
Contact Resistance: 30mΩ max.
Operating Temperature: -55°C~+105°C.
***RoHS Compliant**



P.C. Board Layout

Section A-A'

Recommended Application PCB Layout

8406- 2 X 19 C 00 D P 1 T -P

Series ——— 8406-
Double Row ——— 2 X
Position Per Row ——— 19
C: Selective Gold Plated
00: Gold Flash
D: SMD Type
P: Plastic Pad
Blank: Without Pad
T: Tape & Reel Package
1: With Front Key
P: With Post

Tolerances x = ±0.50 .x = ±0.25 .xx = ±0.10	Dwg. No.	8406D02006		Title: 8406 Series Edge Card Connector 1.0mm Pitch SMD Type ① 542	 OUPIN ELECTRONIC(KUNSHAN) CO., LTD. P/N: 8406-2X19C00DP1T-P
	Projection				
	Unit	mm	Scale		
	Drawn By	Martin 09/19'23		SHEET	1/1
				Ver. No.	A7