

REV.	SPECIFICATION	ECN NO.	APPD.
R5		ECN161013	

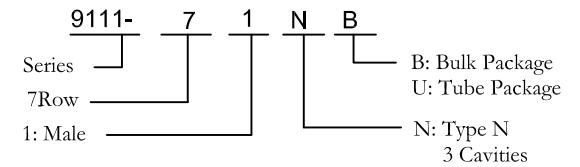
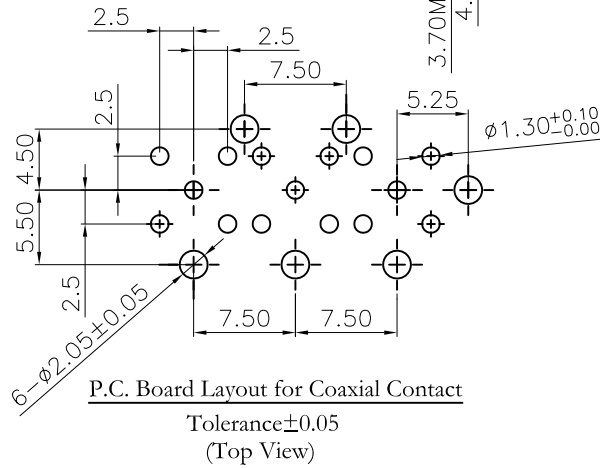
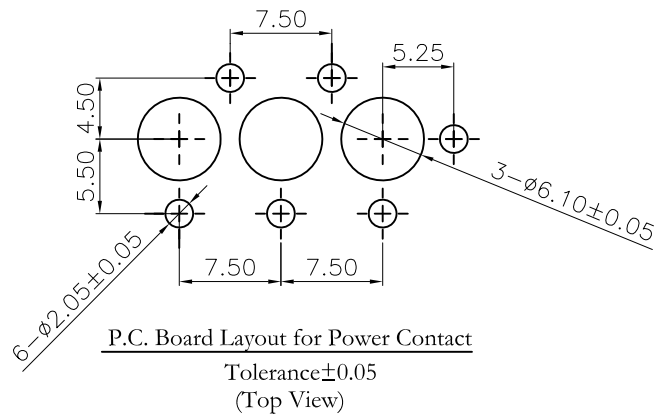
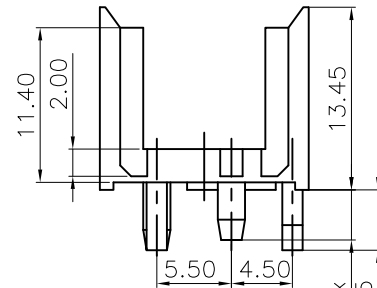
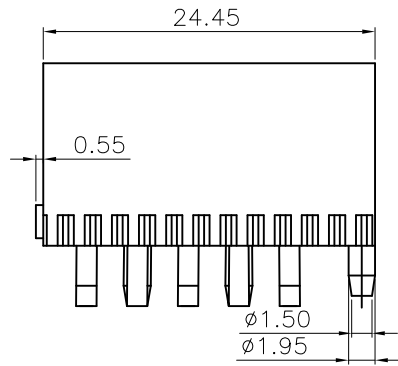
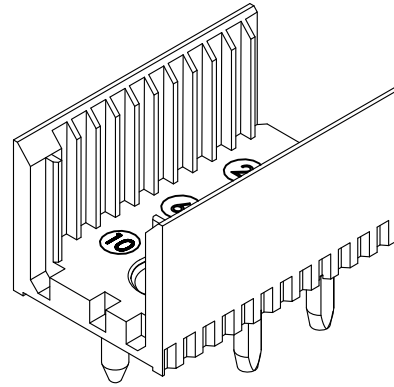
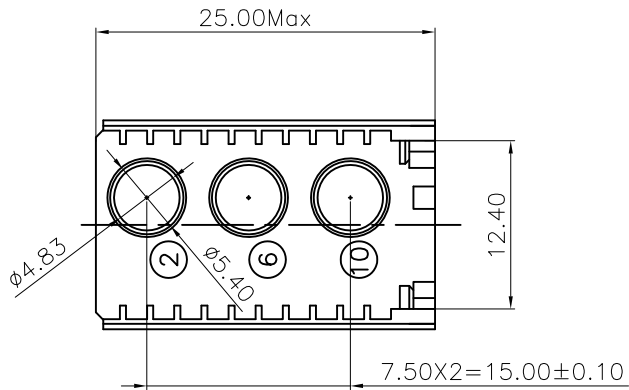
Material:

Housing: Thermoplastic Polyester Glass Filled UL94V-0.

Electrical Characteristics:

Operating Temperature: -55°C ~+125°C .

***RoHS Compliant**



Tolerances	Dwg. No.	9111D71009	
x = ±0.5	Projection		
.x = ±0.25	Unit	mm	Scale 1:1
.xx = ±0.15	Drawn By	LQ 10/14'16	

Title:
 9111 Series
 2.00 Hard Metric
 Connectors Male
 Type N

OUPIN			
OUPIN ELECTRONIC(KUNSHAN) CO., LTD.			
P/N: 9111-71NB			
SHEET	1/1	Ver.No.	R5