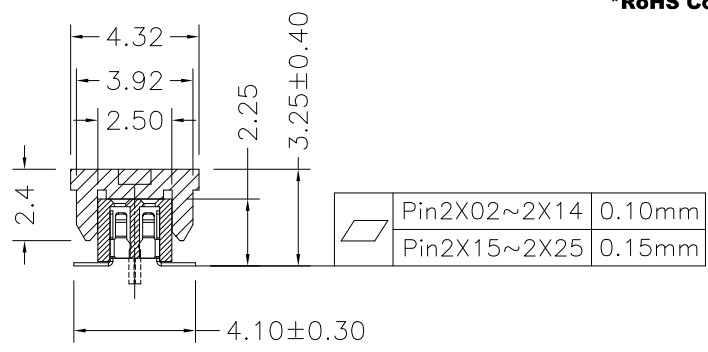
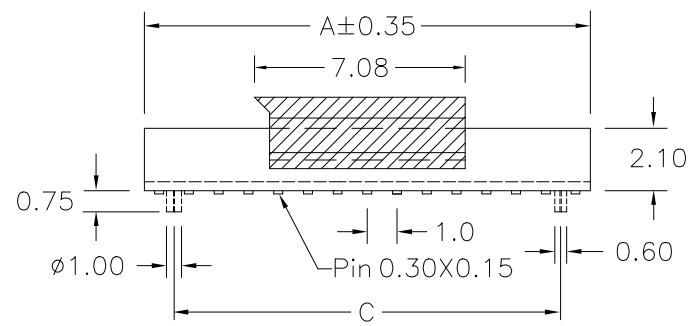
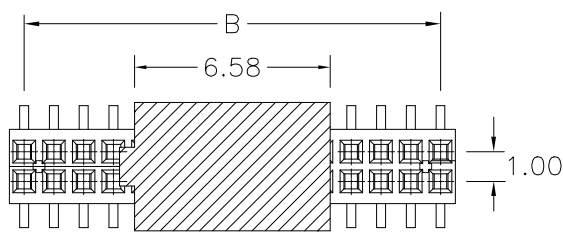


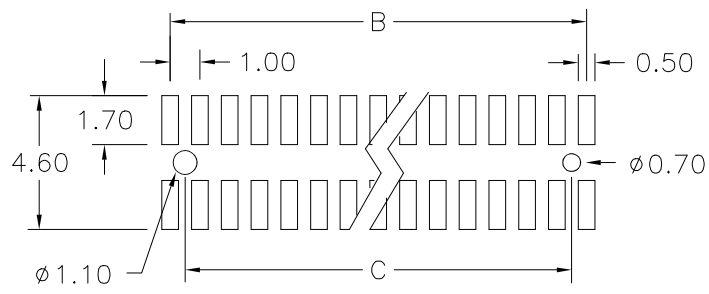
REV.	SPECIFICATION	ECN NO.	APPD.

Material:
Housing: PA6T,UL94V-0.
Contacts: Phosphor Bronze, Gold Plated on Contact Area and Gold Flash on Solder Tail over Nickel 50u".

Electrical Characteristics:
Current Rating: 1 AMP.
Dielectric Withstanding Voltage: AC 500V.
Insulation Resistance: 1000MΩ min.
Contact Resistance: 20mΩ max.
Operating Temperature: -40°C~+105°C.
***RoHS Compliant**



Dimension			
Positions	A	B	C
2X03	3.50	2.00	1.00
2X04	4.50	3.00	2.00
2X05	5.50	4.00	3.00
2X06	6.50	5.00	4.00
2X07	7.50	6.00	5.00
2X08	8.50	7.00	6.00
2X09	9.50	8.00	7.00
2X10	10.50	9.00	8.00
2X11	11.50	10.00	9.00
2X12	12.50	11.00	10.00
2X13	13.50	12.00	11.00
2X14	14.50	13.00	12.00
2X15	15.50	14.00	13.00
2X16	16.50	15.00	14.00
2X17	17.50	16.00	15.00
2X18	18.50	17.00	16.00
2X19	19.50	18.00	17.00
2X20	20.50	19.00	18.00
2X21	21.50	20.00	19.00
2X22	22.50	21.00	20.00
2X23	23.50	22.00	21.00
2X24	24.50	23.00	22.00
2X25	25.50	24.00	23.00



P.C. Board Layout

2441- 2 X xx G 00 D P T -P

Series: 2441-
Double Row: 2
No. of Pin Per Row: X
G: Gold Plated
00: Gold Flash
10: 10 u"
15: 15 u"
30: 30 u"
D: SMD Type
P: Plastic Pad
T: Tape & Reel Package
U: Tube Package
P: With Post
N: Without Post

Tolerances	Dwg. No.	2441D02003	Title:		 DUPIN ELECTRONIC(KUNSHAN) CO., LTD. P/N: 2441-2XxxG00DPT-P
x = ±0.50	Projection		2441 Series		
.x = ±0.30	Unit	mm	Scale	1:1	
.xx = ±0.25	Drawn By	Martin 04/16'24	P.C.B. Socket 1.00mm		
			Φ535	SHEET	1/1
				Ver.No.	B3