

REV.	SPECIFICATION	ECN NO.	APPD.

Material:

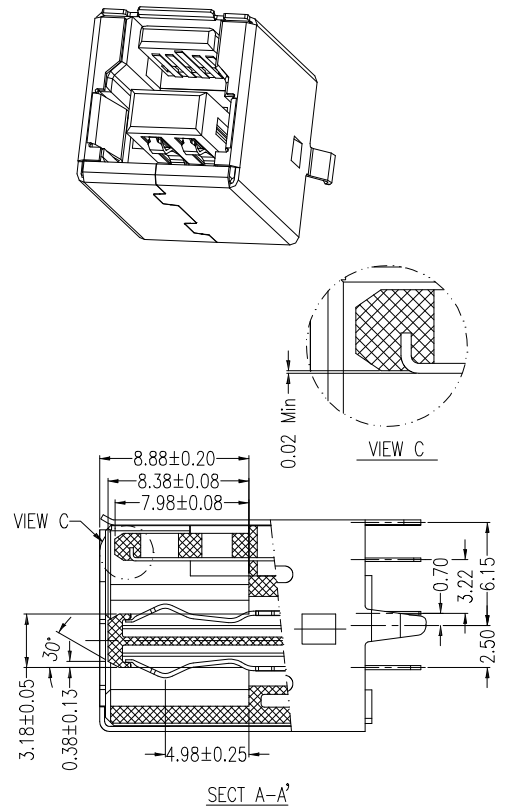
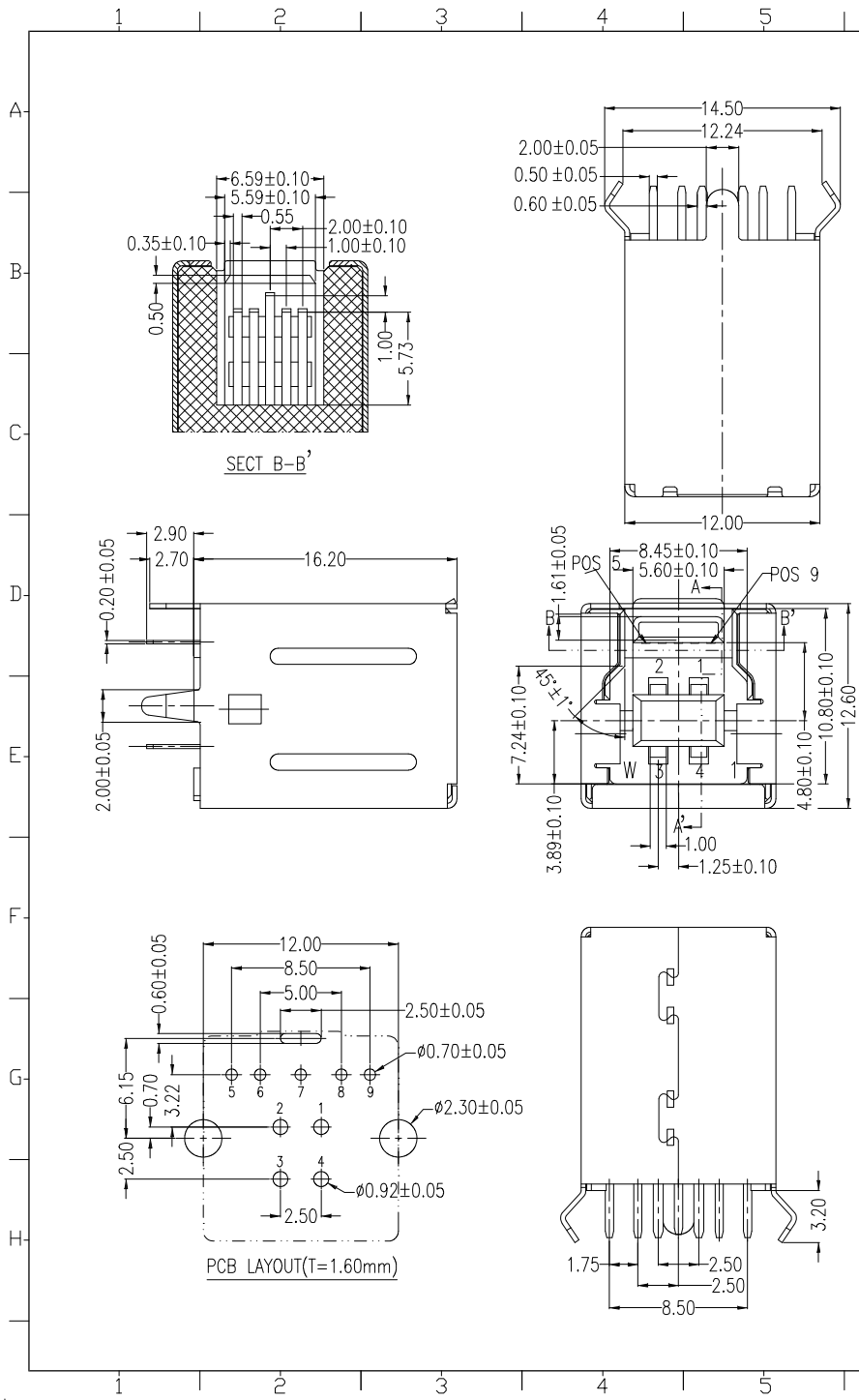
Housing: PBT, UL94V-0.
Baffle: PA66, UL94V-0.
Contacts A(5P): Brass, Gold Plated on Contact Area and 100u" Tin Plated on Solder Tail over Nickel 50u".
Contacts B(4P): Phosphor Bronze, Gold Plated on Contact Area and 100u" Tin Plated on Solder Tail over Nickel 50u".

Shell: Brass, 40u" Nickel Plated.

Electrical Characteristics:

Current Rating: 1.8A (Only Pin1 and Pin4).
0.25A (For Other Pin).
Dielectric Withstanding Voltage : AC 100V.
Insulator Resistance: 100MΩ min.
Contact Resistance: 50mΩ Max.
Operating Temperature: -55°C~ +85°C.

***Data Rate: 5Gbps**
***RoHS Compliant**



8972-B 09 C 30 S U A
Series Position C: Selective 30: 30 u" S: Vertical U: Blue A: Tray Package
Gold Plated

Pin Number	Signal Name
1	VBUS
2	D-
3	D+
4	GND
5	StdB_SSTX-
6	StdB_SSTX+
7	GND-DRAIN
8	StdB_SSRX-
9	StdB_SSRX+

Tolerances .x = ±0.35 .xx = ±0.25 .xxx = ±0.15	Dwg. No.	8972D02002	Title: 8972-B Series USB 3.2 Gen1 5Gbps B Type Vertical	 OUPIN ELECTRONIC(KUNSHAN) CO., LTD. P/N: 8972-B09C30SUA SHEET 1/1 Ver.No. A7				
	Projection							
	Unit	mm						Scale
	Drawn By	Martin 12/05'23	①705					