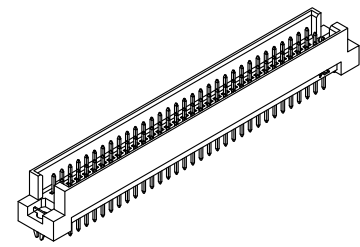
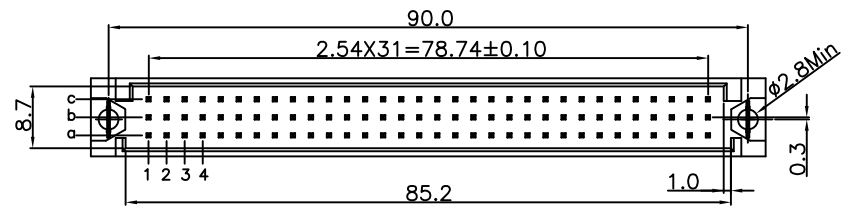


REV.	SPECIFICATION	ECN NO.	APPD.
R6		ECN210705	



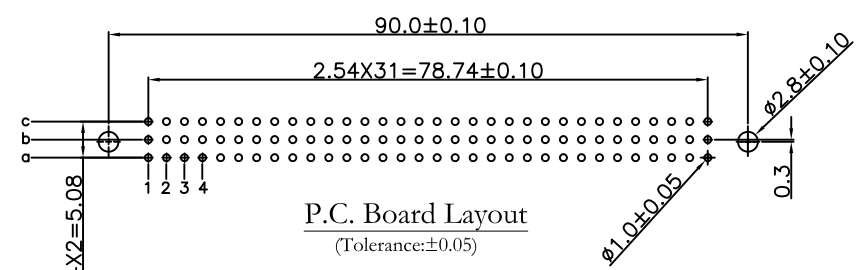
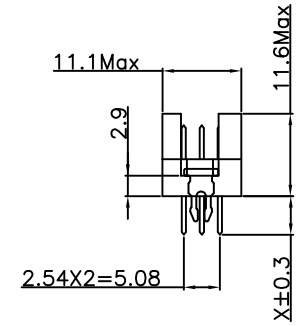
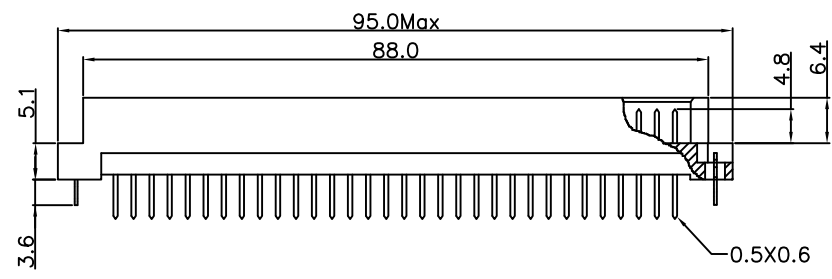
**Material and plating:**

Housing: PBT, UL94V-0, Beige.  
 Contacts: Brass.  
 Gold Plated on Contact Area and 80 u" min Tin or Gold Flash Plated on Solder Tail over 50 u" min Nickel  
 Lock: Phosphor Bronze

**Electrical Characteristics:**

Current Rating: 2 AMP.  
 Dielectric Withstanding Voltage: AC 1000V For 1 minute.  
 Insulator Resistance: 1000MΩ min. at DC 500V.  
 Contact Resistance: 20mΩ max. at DC 100mA.  
 Operating Temperature: -55°C~+125°C.

**\*RoHS Compliant**



**P.C. Board Layout**  
(Tolerance:±0.05)

9001- 1 3 xx x C xx L1 A  
 Series  
 1: 2.54mm  
 3: Male  
 No. of Position  
 1: Dip Length  
 2: Dip Length  
 W1: Dip Length  
 W2: Dip Length  
 C: Dip Tin  
 Contact Gold  
 G: Gold Plated  
 A: Tray Package  
 L1: With Lock  
 00: G/F  
 10: 10 u"  
 15: 15 u"  
 30: 30 u"

Length	1	2	W1	W2
X	4.0	2.5	13	17

Pitch	Position	Rows with Contacts	Contact Arrange	P/N
2.54mm	96	a b c		9001-1396xCxxL1A
	64	a - c		9001-1364xCxxL1A
	32	a - -		9001-1332xCxxL1A

<b>Tolerances</b>	<b>Dwg No.</b>	9001D13002
x = ±0.5	<b>Projection</b>	
.x = ±0.25	<b>Unit</b>	mm
.xx = ±0.15	<b>Scale</b>	1:1
	<b>Drawn By</b>	ZY 07/14'21

**Title:**  
 9001 Series  
 DIN41612 R Type Male



**OUPIN ELECTRONIC(KUNSHAN) CO., LTD.**  
**P/N:** 9001-13xxxCxxL1A  
**SHEET** 1/1 **Ver.No.** R6