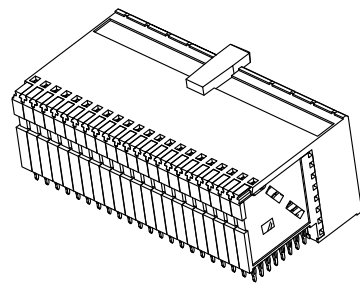
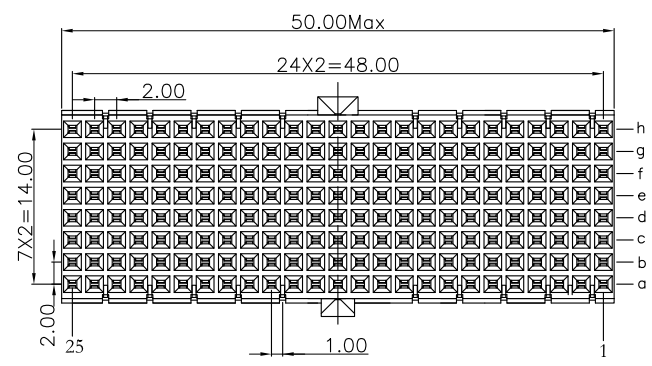
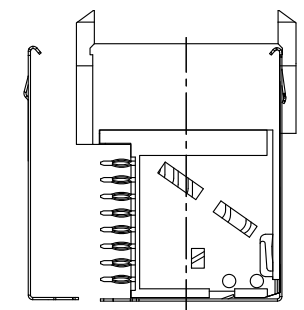
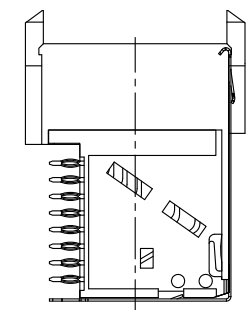
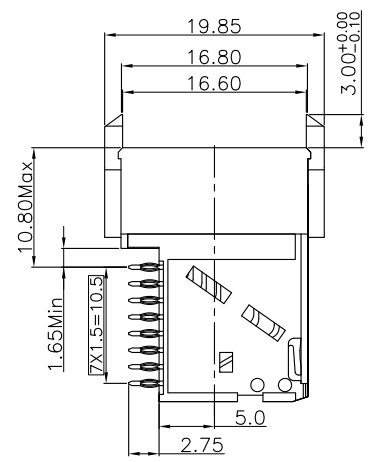
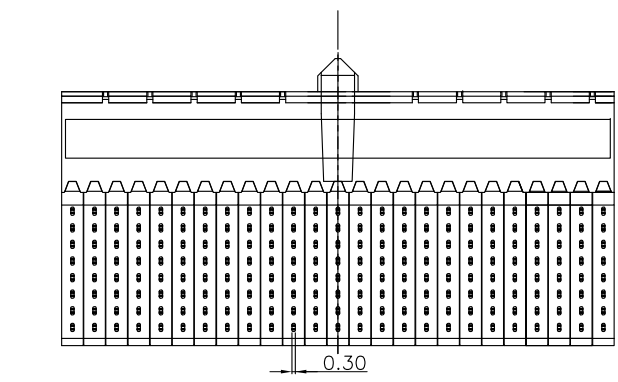


REV.	SPECIFICATION	ECN NO.	APPD.
R8		ECN170312	



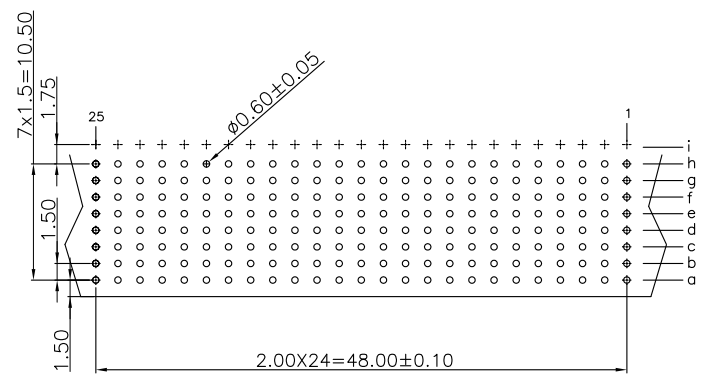
Material:
Housing: Thermoplastic Polyester Glass Filled UL94V-0.
Contacts: Copper Alloy.
Electrical Characteristics:
Current Rating: 1 AMP.
Dielectric Withstanding Voltage: AC 750V For 1 minute.
Insulator Resistance: 10000MΩ min. at DC 500V.
Contact Resistance: 20mΩ max. at DC 100mA.
Operating Temperature: -55°C ~+125°C .
***RoHS Compliant**



None Shielded

With Top Body Shielded

With Top Body Shielded and Bottom Shielded



P.C. Board Layout
(Top View)

9111- 10 2 DE 200 x CB 30 U
 Series: 10Row, 2: Female, DE: Type DE, Position, 1: None Shielded, 2: Top Body Shielded, 3: Top Body Shielded and Bottom Shielded (Package Separately)
 U: Tube package, 30: 30 u", CB: Dip Tin Plated Contact Au+Pd/Ni Plated

Tolerances	Dwg. No.	9111-D0000-013	Title:		OUPIN OUPIN ELECTRONIC(KUNSHAN) CO., LTD. P/N: 9111-102DE200xCB30U
x = ±0.5	Projection		9111 Series		
.x = ±0.25	Unit	mm	Hard Metric Connector		
.xx = ±0.15	Scale	1:1	Female Right Angle Type DE-25		SHEET 1/1
	Drawn By	zbs 03/17'17			Ver.No. R8