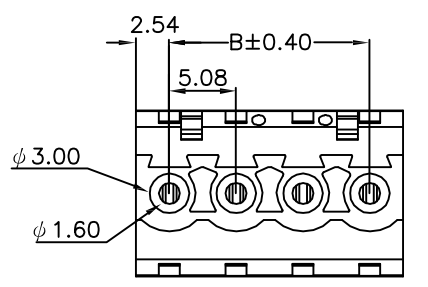
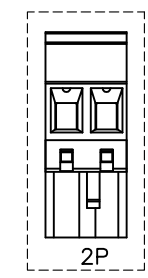
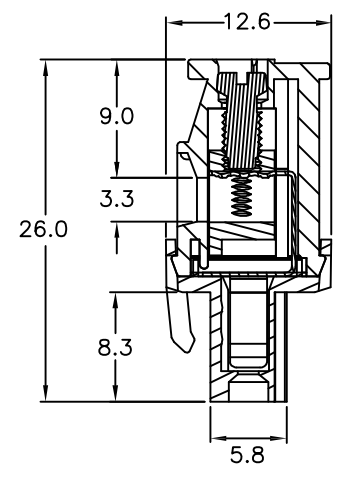
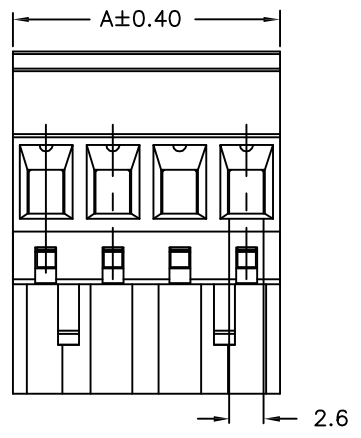
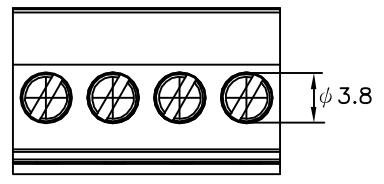


REV.	SPECIFICATION	ECN NO.	APPD.



**Material:**

Housing: Thermoplastic Polyester UL94V-0.  
 Female Contact: Copper Alloy, Tin Plated.  
 Clamp: Copper Alloy, Ni Plated.  
 Screw: Metal, Zinc Plated, M3.

**Electrical Characteristics:**

Voltage Rating: 300V  
 Current Rating: 15A  
 Withstanding Voltage: 1.6KV  
 Solid Wire(AWG): 12-24  
 Stranded Wire(AWG): 12-24  
 Torque: 3.5Lb-In  
 Wire Strip Length: 6-7mm  
 Operating Temperature: -40°C~+115°C  
**\*RoHS Compliant**

8933- G 126260 G AA CE xx B  
 Series G:Pitch Manufacturing Code G:Green AA:Slotted CE:W/O No. of Positions B:Bulk Package for 2~4Pos.  
 5.08mm Y:Grey AB:Combination Left Hook " - "Screw Flange Box Package for 5~24Pos.  
 U:Blue " + "Screw

Position	2 Thru 24
Dimension	
A	No. of Positions *5.08
B	(No. of Positions -1) *5.08

Tolerances	Dwg. No.	8933D02014
x = ±0.5	Projection	
.x = ±0.30	Unit	mm
.xx = ±0.15	Scale	1:1
	Drawn By	PEGGY12/03'15

Title:  
 8933 Series  
 5.08mm Terminal Block  
 (8800-XXFTS11-02)

**OUPIN**  
 OUPIN ELECTRONIC(KUNSHAN) CO., LTD.  
 P/N: 8933-G126260GAACExxB  
 SHEET 1/1 Ver.No. A3