

REV.	SPECIFICATION	ECN NO.	APPD.
R6		ECN170651	

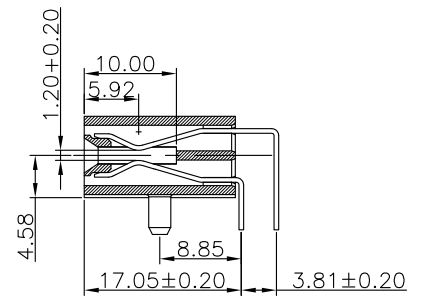
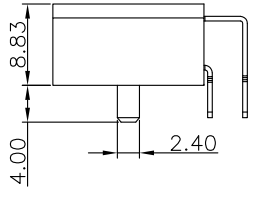
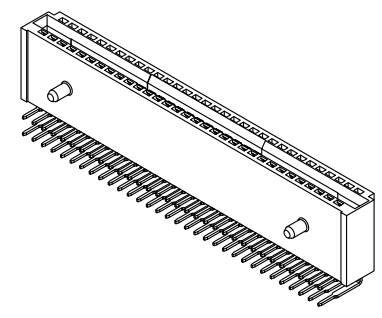
Material and Plating:

Housing:LCP, UL94V-0 , BLACK.
 Power Contacts:High Conductivity Copper .
 30u" Au+Pd/Ni on Contact Area and 80u" Min Tin Plated on Solder Tail over nickel 50u" Min .

Electrical Characteristics:

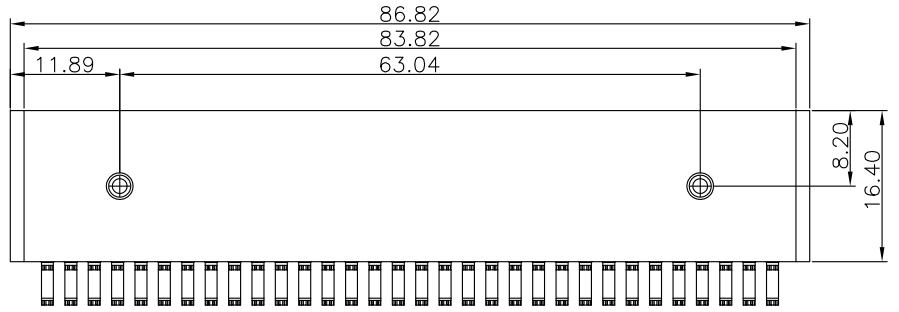
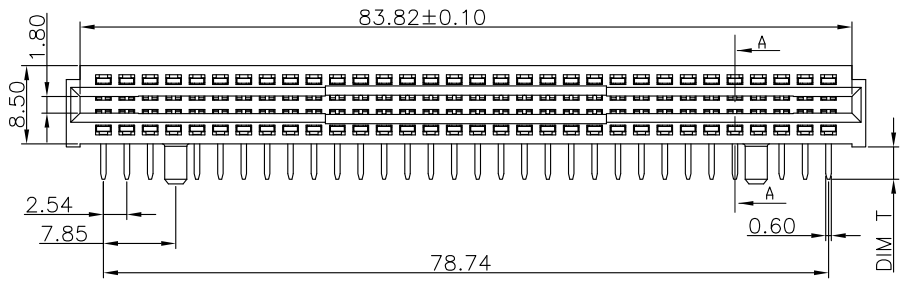
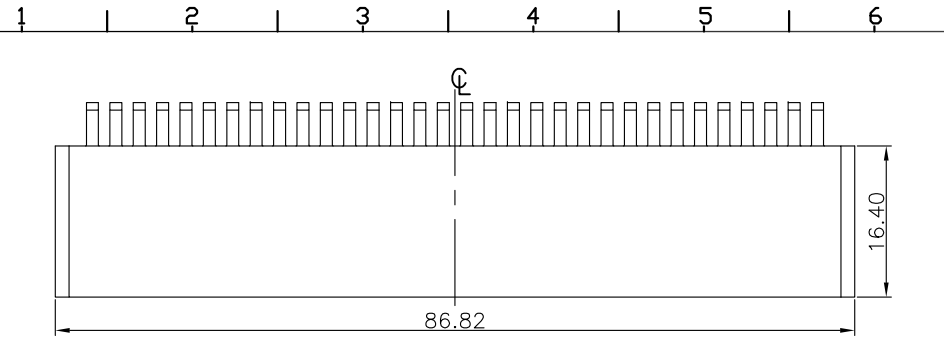
Current Rating: 12.5 A(UL).
 Dielectric Withstanding Voltage:DC 1000V For 1 minute.
 Insulator Resistance: 5000MΩ min. at DC 500V.
 Contact Resistance: 2.5mΩ max. at DC 100mA.
 Operating Temperature: -55°C ~+105°C .

***RoHS Compliant**



SECTION A-A

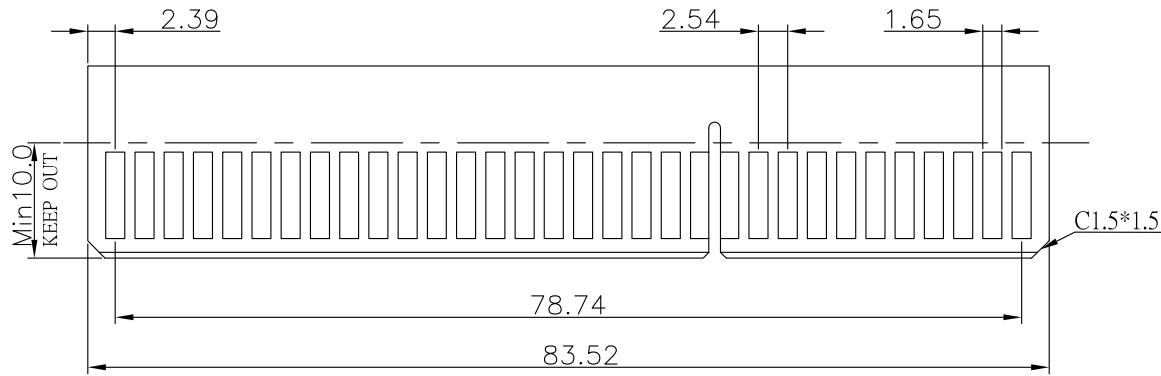
- 9393-F 4 1 P64 P 1 1 A CB 30 D A
- Series
- 4:Female-Right Angle
- 1:Row Spacing 3.81
- Position
- N:W/O Post
- P:With Post
- 1:DIM T=3.5mm
- 2:DIM T=2.6mm
- 1:DIM G(GAP)=1.2mm
- A: Tray Package
- D:Dip Type
- P:Press-Fit Type
- 30: 30u"
- CB:Contact Au+Pd/Ni,Dip Tin
- A:Power pitch 2.54
- B:Power pitch 5.08



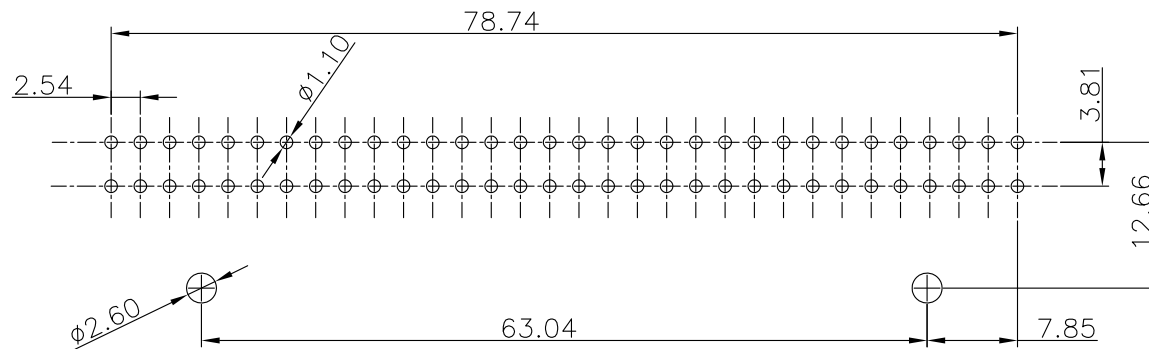
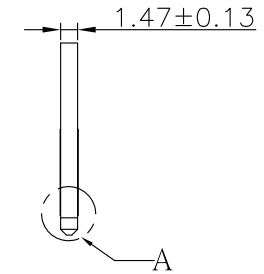
Tolerances	Dwg. No.	9393-D000-005	Title:	
x = ±0.5	Projection		9393-F Series	
.x = ±0.25	Unit	mm	Power Edge Connector	
.xx = ±0.15	Scale	1:1		
	Drawn By	CXP06/27'17		

OUPIN			
OUPIN ELECTRONIC(KUNSHAN) CO., LTD.			
P/N: 9393-F41P64P11ACB30DA			
SHEET	1/2	Ver. No.	R6

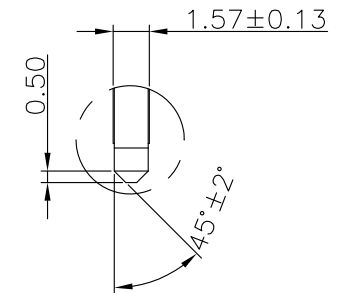
REV.	SPECIFICATION	ECN NO.	APPD.
R6		ECN170651	



RECOMMENDED MATTING BOARD FOOTPRINT
(Tolerance: ±0.05)



P.C. Board Layout
(Tolerance: ±0.05) (Top View)



DETAIL: A-A
SCALE: 2:1

Tolerances	Dwg. No.	9393-D0000-005		Title:		
x = ±0.5	Projection			9393-F Series Power Edge Connector		
.x = ±0.25	Unit	mm	Scale			1:1
.xx = ±0.15	Drawn By	CXPO6/27'17				

OUPIN			
OUPIN ELECTRONIC(KUNSHAN) CO., LTD.			
P/N: 9393-F41P64P11ACB30DA			
SHEET	2/2	Ver. No.	R6