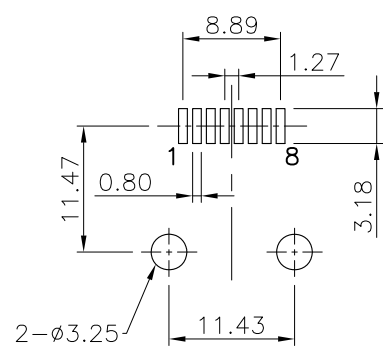
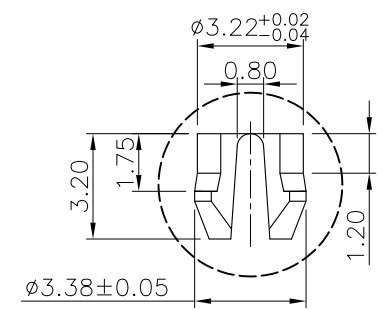
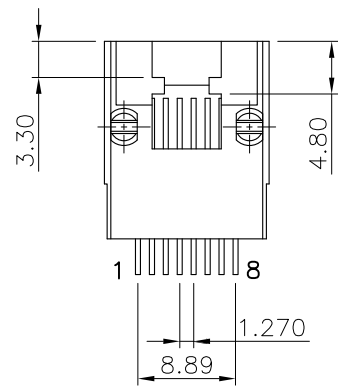
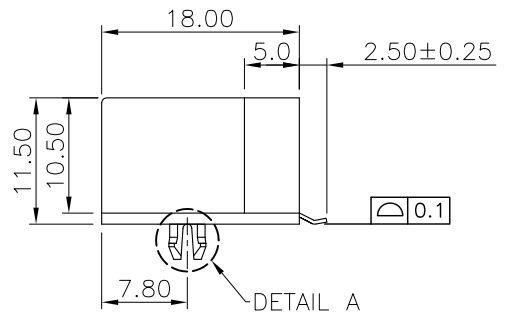
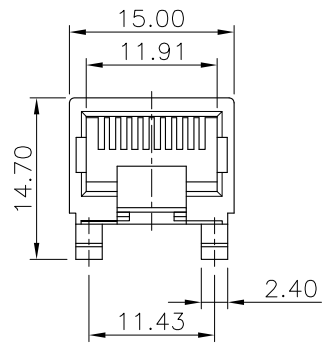


REV.	SPECIFICATION	ECN NO.	APPD.



P.C.Board Layout

8949-AK2D 8 8 -06 B A

Series ————
 8: 8 Position
 Housing
 8: 8 Contacts
 loaded

— A: Tray Package
 — B: Black
 — 06: 6μ" Gold Plated
 — 15: 15μ" Gold Plated
 — 30: 30μ" Gold Plated
 — 50: 50μ" Gold Plated

Tolerances x = ±0.50 .x = ±0.25 .xx = ±0.15	Dwg No.	8949D02203	Title:		 OUPIIN ELECTRONIC(KUNSHAN) CO., LTD. P/N: 8949-AK2D88-06BA SHEET 1/1 Ver.No. A1
	Projection		8949-AK2D Series		
	Unit	mm	Scale	1:1	
	Drawn By	Lucas 12/05'17	0563	Modular Jack	