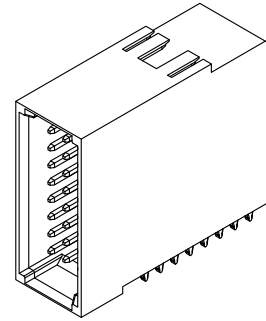
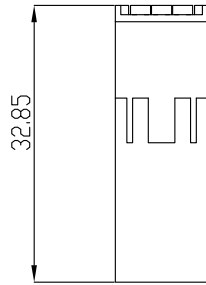


REV.	SPECIFICATION	ECN NO.	APPD.
X2			



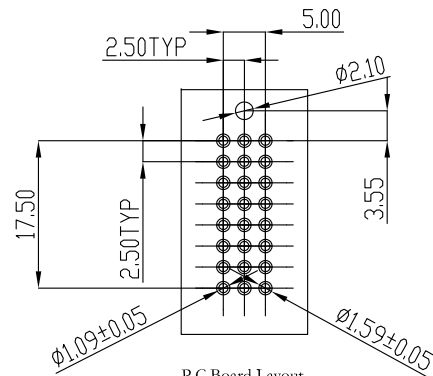
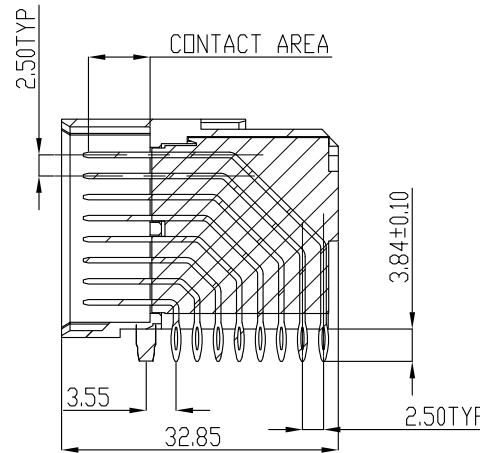
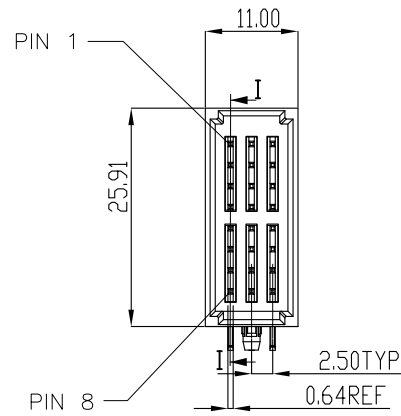
Material:

Housing: LCP, 30% Glass Filled, UL94V-0, BLACK.
 Signal Contacts: Phosphor Bronze.
 Au(3u")+Pd/Ni (27u") gold plated on Contact Area and 80~160u" Tin Plated on Solder Tail over nickel 50-120u" under plated.

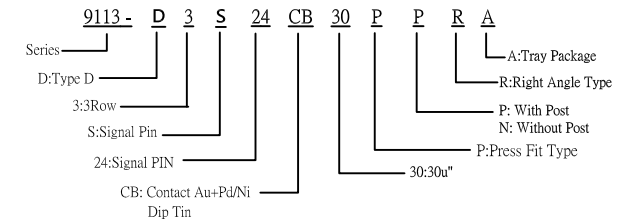
Electrical Characteristics:

Current Rating: Signal: 3AMP.
 Dielectric Withstanding Voltage:
 Power: AC 1500V For 1 minute.
 Insulator Resistance:
 Signal: 5000MΩ min. at DC 500V.
 Contact Resistance: 15.0mΩ max
 Operating Temperature: -40°C ~ +105°C.

***RoHS Compliant**



P.C. Board Layout
(Tolerance: ±0.05)



Tolerances	Dwg. No.	9113-D0000-022	
x = ±0.5	Projection	⊕ ⊖	
.x = ±0.25	Unit	mm	Scale 1:1
.xx = ±0.15	Drawn By	YW 8/26'16	

Title: 9113 Series
 Male Right-angle Press fit Type

OUPIN			
OUPIN ELECTRONIC(KUNSHAN) CO., LTD.			
P/N: 9113-D3S24CB30PPRA			
SHEET	1/1	Ver. No.	X2