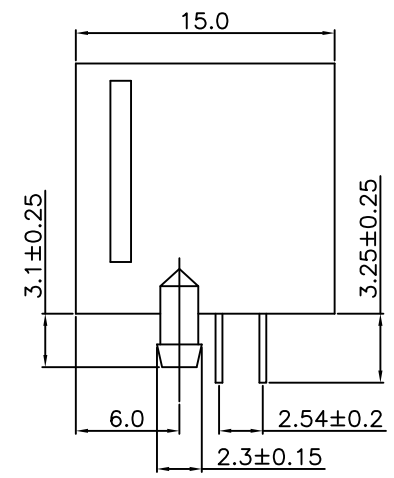
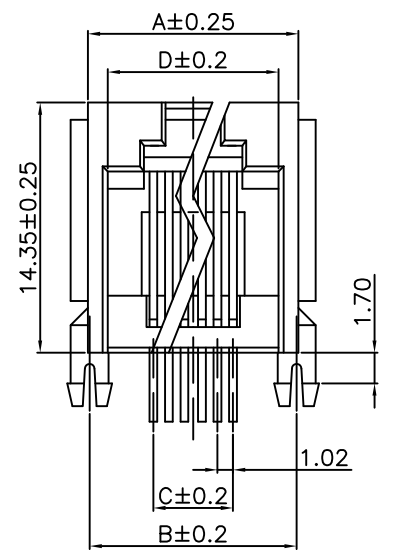


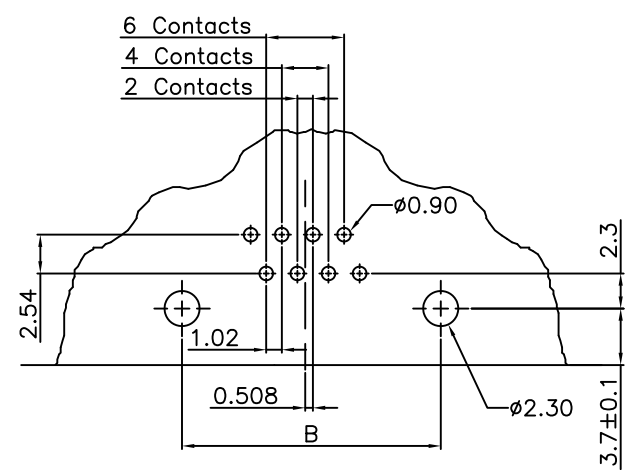
REV.	SPECIFICATION	ECN NO.	APPD.



(4 & 6 Position)

Material:
Housing: PBT, 30% Glass Filled, UL94V-0.
Contact: Phosphor Bronze, Gold Plated on Contact Area and Solder Tail over Nickel 50μ" Min.

Electrical Characteristics:
Current Rating: 1.5 AMP.
Dielectric Withstanding Voltage: 1000V for 1 minute.
Insulator Resistance: 500MΩ min. at DC 500V.
Contact Resistance: 30mΩ max.
Operating Temperature: -40°C ~ +85°C.
***RoHS Compliant**



P.C. Board Layout

Series 8949- F 4 4 -06 Y F A

F: F Type
4: 4 Position Housing
6: 6 Position Housing

2: 2 Contacts Loaded
4: 4 Contacts Loaded
6: 6 Contacts Loaded

A: Tray Package
F: With Flange
N: W/O Flange

Y: Grey
B: Black

06: 6μ" Gold Plated
15: 15μ" Gold Plated
30: 30μ" Gold Plated
50: 50μ" Gold Plated

No. of Position	No. of Contacts	Dimensions			
		A	B	C	D
4	4	12.20	12.00	3.06	7.88
6	2	12.20	12.00	1.02	9.88
6	4	12.20	12.00	3.06	9.88
6	6	12.20	12.00	5.10	9.88

Tolerances	Dwg No.	8949D02004	Title:	
x = ±0.50	Projection		8949-F Series	
.x = ±0.25	Unit	mm	Scale	1:1
.xx = ±0.15	Drawn By	jia-chi 12/01'17	Modular Jack	

①563

OUPIN
OUPIN ELECTRONIC(KUNSHAN) CO., LTD.
P/N: 8949-Fxx-06YFA

SHEET	1/1	Ver.No.	B1
-------	-----	---------	----