

REV.	SPECIFICATION	ECN NO.	APPD.
X2			

Material:

Housing: High Temperature Plastic, UL94V-0.

Contacts: Copper Alloy.

Electrical Characteristics:

Current Rating: 3.1 AMP.

Dielectric Withstanding Voltage: AC 600V For 1 minute.

Insulator Resistance: 6000MΩ min. at DC 250V.

Contact Resistance: 8.4mΩ max. at DC 100mA.

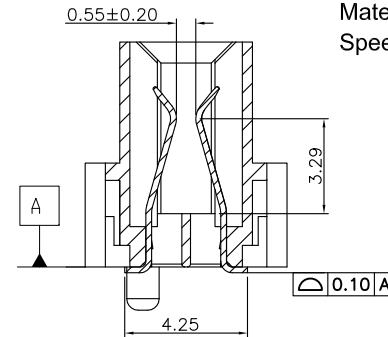
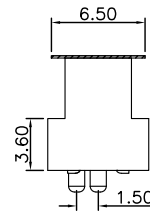
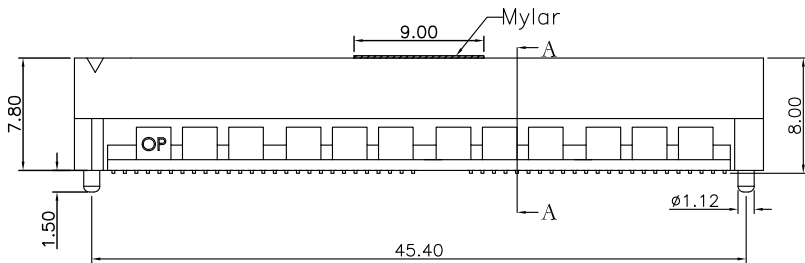
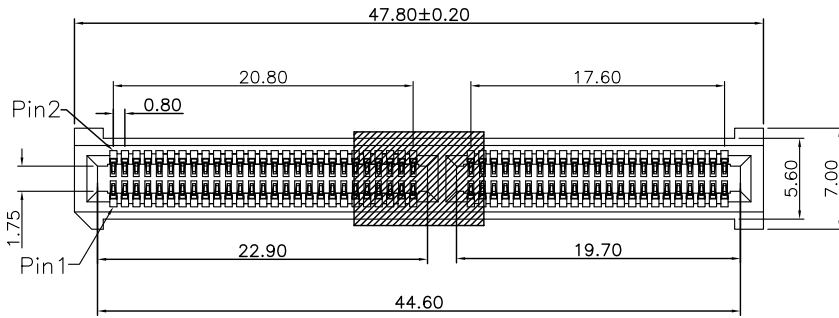
Operating Temperature: -55°C~+125°C.

***RoHS Compliant**

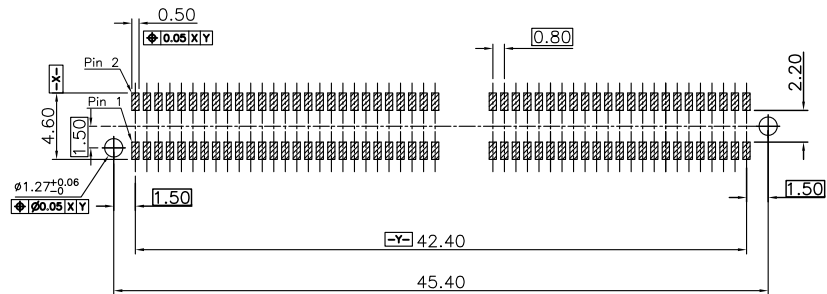
Insertion Depth: 3.15mm To 5.55mm.

Mates With: 1.6±0.05mm Thick Edge Card.

Speed: 28+Gbps @-3dB.


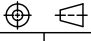


Section A-A
Scale 2:1



P.C. Board Layout
(Tolerance ±0.05)

- Series — 8206-
Double Row — 2 X
Position Per Row — 50
C: Selective Gold Plated — C
00: 00μ"
10: 10μ"
15: 15μ"
30: 30μ"
- D P 1 T - S
D: SMD Type
P: With Post
N: Without Post
1: With Front Key
T: Tape&Reel Package
U: Tube Package
Blank: Without Pad
S: Mylar
P: Plastic Pad

Tolerances	Dwg. No.	8206-D0000-014	Title:		 OUPIN ELECTRONIC(KUNSHAN) CO., LTD. P/N: 8206-2X50C30DP1T-S
x = ±0.50	Projection		8206 Series Edge Card Connector		
.x = ±0.25	Unit	mm	Scale	1:1	
.xx = ±0.15	Drawn By	MXM 11/23'17	0.80mm (0.0315") Pitch SMD Type		
					SHEET
					1/1
					Ver.No.
					X2