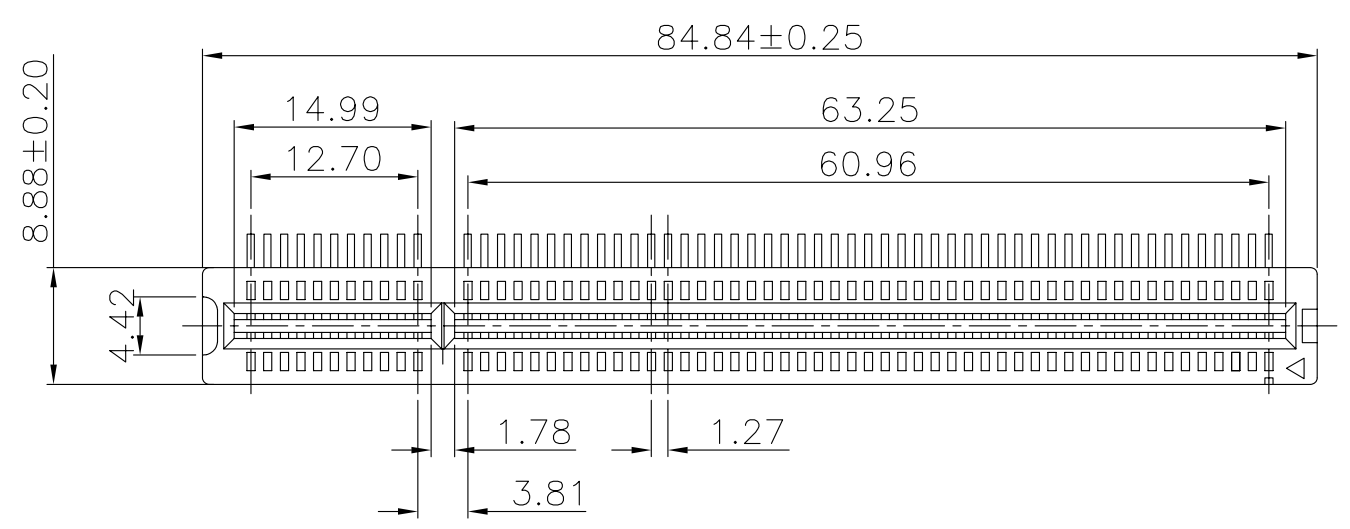
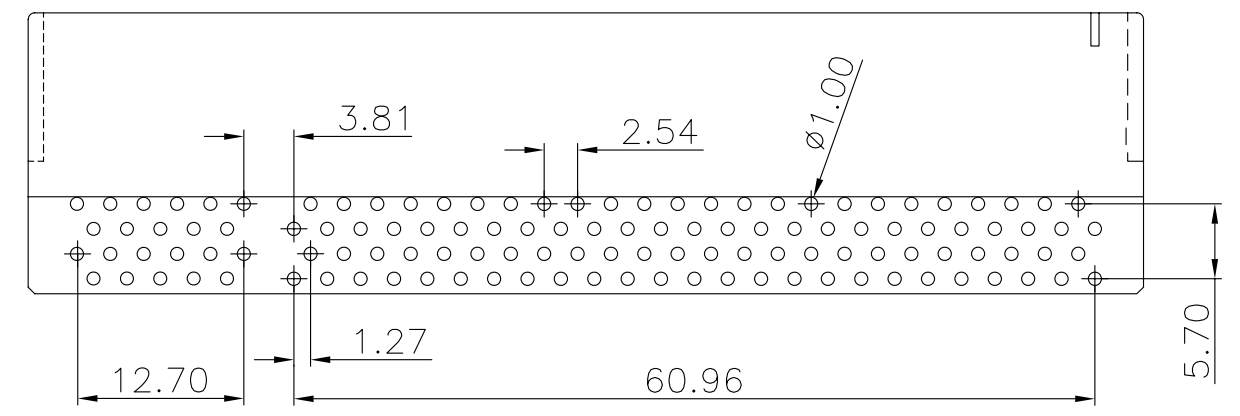
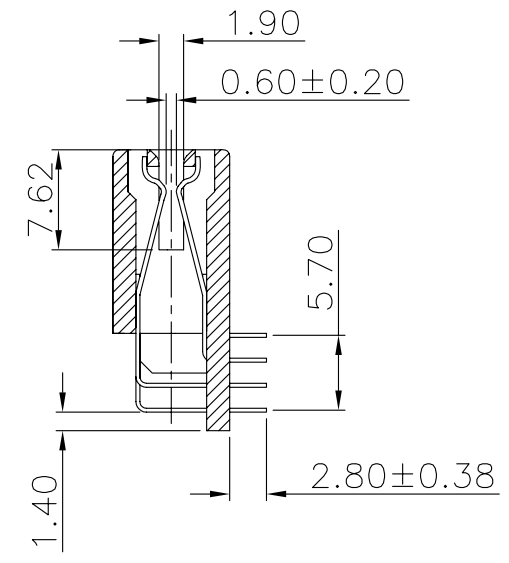
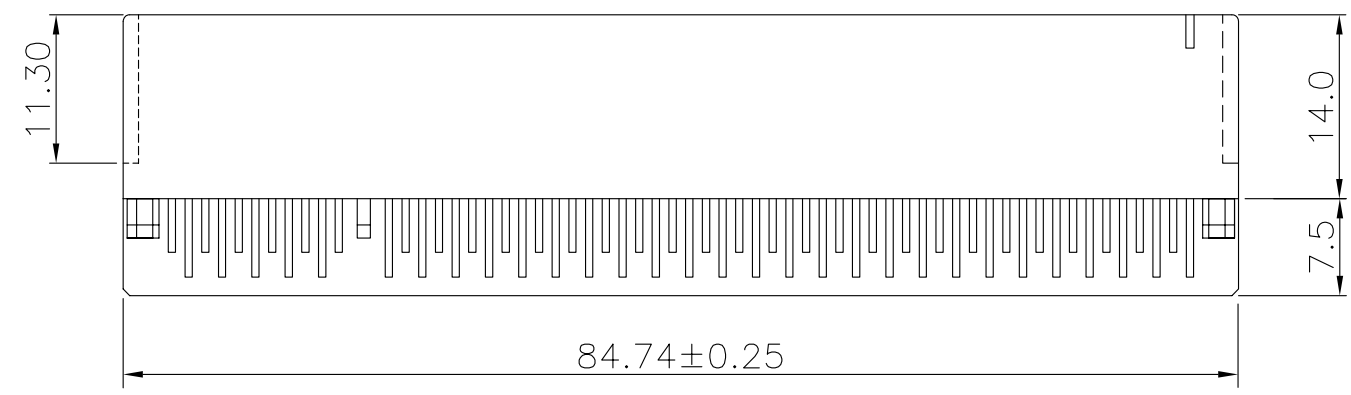


| | | | |
|------|---------------|---------|-------|
| REV. | SPECIFICATION | ECN NO. | APPD. |
| | | | |



Material:
Housing: Thermoplastic Polyester UL94V-0.
Contacts: Copper Alloy.
Plating: Selected Gold 10μ" over Nickel on Mating Area.
Electrical Characteristics:
Current Rating: 1 AMP .
Dielectric Withstanding Voltage: AC 500V For 1 minute.
Insulator Resistance: 1000MΩ min. at DC 500V.
Contact Resistance: 30mΩ max. at DC 1AMP.
Operating Temperature: -55°C~+85°C.
***RoHS Compliant**



P.C. Board Layout

8206- **120** **C** **10** **R** **U**
Series Position C: Selective 10: 10μ" Right Angle U: Tube Package
Gold Plated

| | | | | | | | | |
|-------------------|-------------------|------------|---------------|-------|---|--|--|--|
| Tolerances | Dwg. No. | 8206D02012 | Title: | | OUPIN OUPIN ELECTRONIC(KUNSHAN) CO., LTD. P/N: 8206-120C10RU | | | |
| x = ±0.5 | Projection | | 8206 Series | | | | | |
| .x = ±0.25 | Unit | mm | Scale | 1:1 | PCI 120P Connector | | | |
| .xx = ±0.15 | Drawn By | Sunny | 09/18'12 | | Right Angle | | | |
| | | | | Ⓢ 720 | | | | |