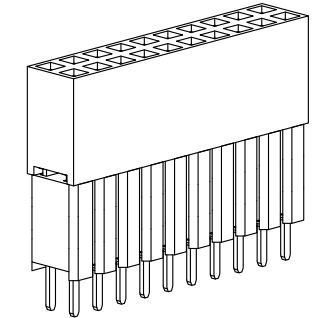
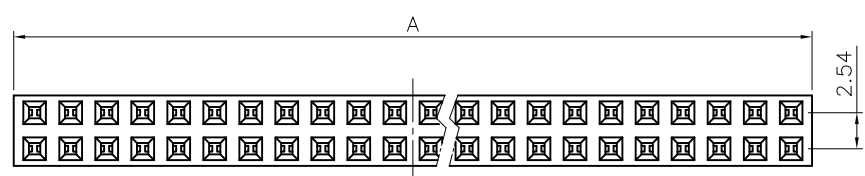


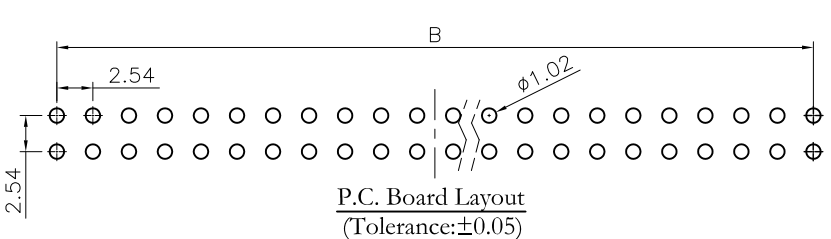
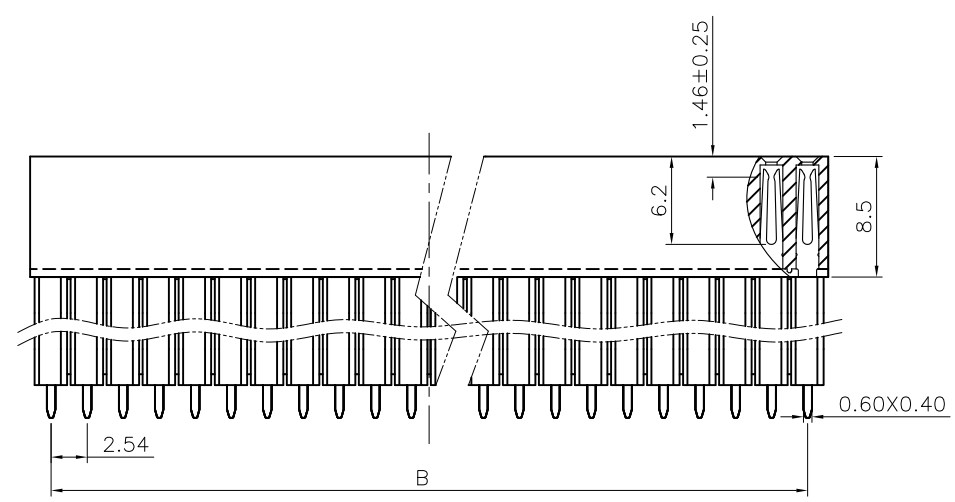
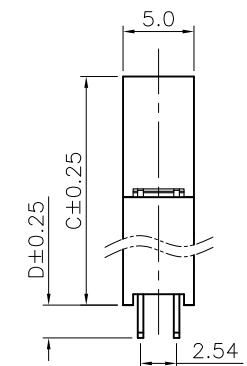
REV.	SPECIFICATION	ECN NO.	APPD.
R10		ECN220368	



**Material and Plating:**  
 Housing: PBT, UL94V-0, BLACK  
 Cover: PBT, UL94V-0, BLACK  
 Contacts: Brass.  
 Gold Plated on Contact Area and Gold Flash on solder tail over Nickel 50u" Min.  
 Or Tin 80u" Min Plated over Nickel 50u" Min.

**Electrical Characteristics:**  
 Current Rating: 2 AMP.  
 Dielectric Withstanding Voltage: AC 1000V For 1 minute.  
 Insulator Resistance: 1000MΩmin. at DC 500V.  
 Contact Resistance: 20mΩmax. at DC 100mA.  
 Operating Temperature: -55°C ~ +105°C.

**\*RoHS Compliant**  
 Insertion Depth: 2.55mm to 5.70mm.



**2047-2 X xx G xx S x U**

- Series: 2047-2
- Double Row: X
- No. of Pin Per Row: xx
- G: Gold Plated
- T: Tin Plated
- S: Straight
- U: Tube Package
- Choices of Code 1~14
- 00: G/F
- 10: 10u"
- 15: 15u"
- 30: 30u"

Position	4 Thru 80													
Dimension	2.54 X No. of Positions/2 +0.4													
A	2.54 X No. of Positions/2 -2.54													
B														
C (Code)	1	2	3	4	5	6	7	8	9	10	11	12	13	14
	11.05	11.05	13.59	16.13	11.05	13.59	16.13	18.67	11.05	18.67	21.21	18.67	16.13	18.67
D	2.50	7.35	4.85	2.30	12.20	9.65	7.10	4.60	3.50	3.00	2.06	2.50	3.00	3.50

<b>Tolerances</b>	<b>Dwg No.</b>	2047-D0000-004		<b>Title:</b>		 <b>OUPIIN ELECTRONIC(KUNSHAN) CO., LTD.</b> <b>P/N: 2047-2XxxGxxSxU</b> <b>SHEET 1/1 Ver.No. R10</b>		
x = ±0.5	<b>Projection</b>			2047 Series				
.x = ±0.25	<b>Unit</b> mm	<b>Scale</b>	1:1		Elevated P.C.B. Socket			
.xx = ±0.15	<b>Drawn By</b>	ZY 3/28'22		2.54mmX2.54mm(0.100"X0.100")				