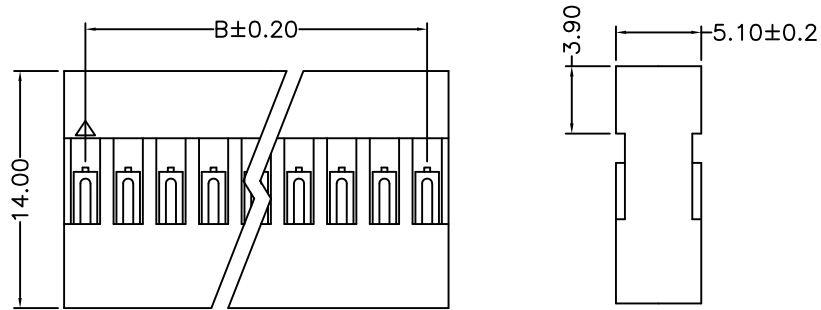


REV.	SPECIFICATION	ECN NO.	APPD.
A5			



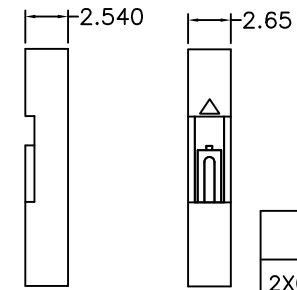
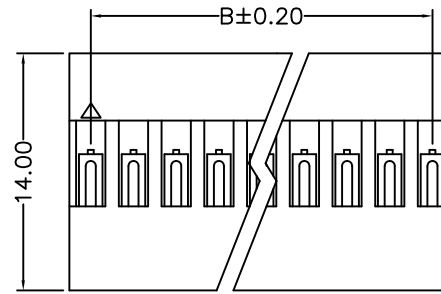
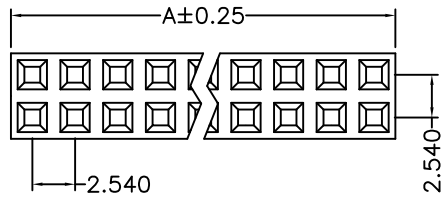
Material:

Housing: Noryl, UL94V-1, Black.
 Contacts: Brass, 100u" Tin Plated over Nickel 30u".
 Recommend wire: 22AWG to 28AWG.

Electrical Characteristics:

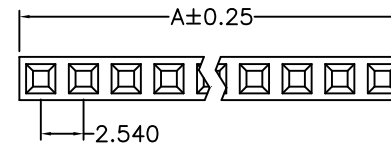
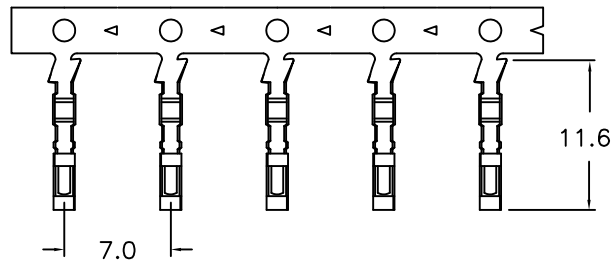
Voltage Rating: AC 250V.
 Current Rating: 3 AMP.
 Dielectric Withstanding Voltage: AC 800V .
 Insulator Resistance: 1000MΩ min.
 Contact Resistance: 20mΩ max.
 Operating Temperature: -25°C ~+85°C .

***RoHS Compliant**



1X01P

	Double	Single	Tolerances
	2X02P-2X10P	1X01P-1X10P	±0.20
	2X11P-2X20P	1X11P-1X20P	±0.25
	2X21P-2X30P	1X21P-1X30P	±0.35
	2X31P-2X40P	1X31P-1X40P	±0.45



4072- 1 X xx H B
 Series 1: Single Row No.of H: Housing B: Bulk
 2: Double Row Pin Per Row Package

4072- Pin-T-10K
 Series T: Tin Plated 10k pins Per Reel

Position	Double Row
Dimension	4 Thru 80
A	2.54 X No. of Positions /2
B	2.54 X No. of Positions /2-2.54
Position	Single Row
Dimension	1 Thru 40
A	2.54 X No. of Positions +0.2
B	2.54 X No. of Positions -2.54

Tolerances	Dwg. No.	4072D02001
.x = ±0.35	Projection	
.xx = ±0.25	Unit	mm
.xxx = ±0.15	Scale	1:1
	Drawn By	Ping 08/27'19

Title: 4072 Series 2.54mm
 Wire to Board
 Housing & Terminal
 ⑦04

OUPIN			
OUPIN ELECTRONIC(KUNSHAN) CO., LTD.			
P/N:4072-1XxxHB&4072-PIN-T-10K			
SHEET	1/1	Ver.No.	B1