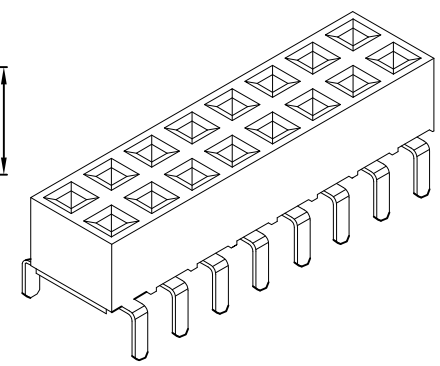
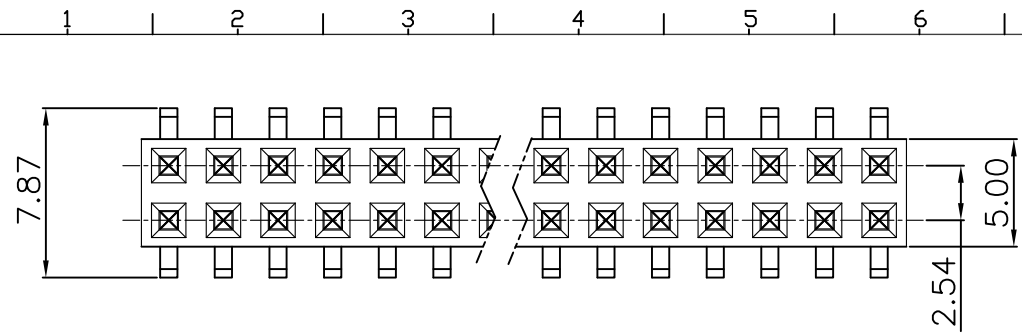


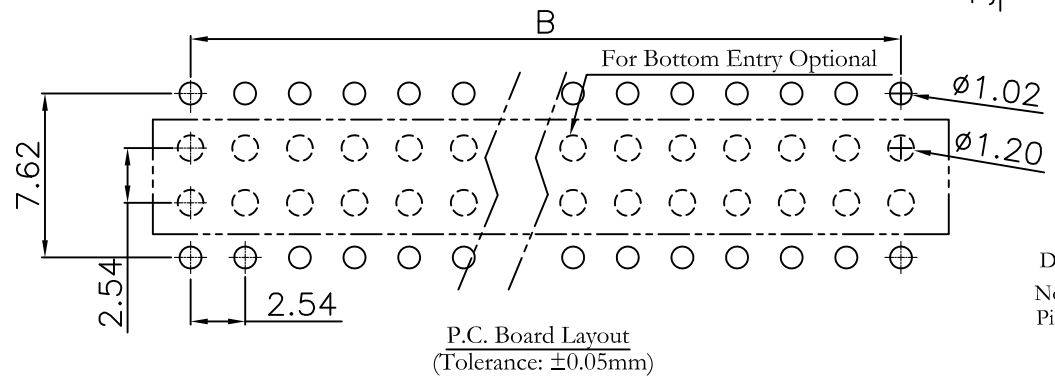
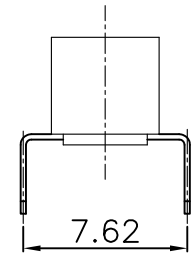
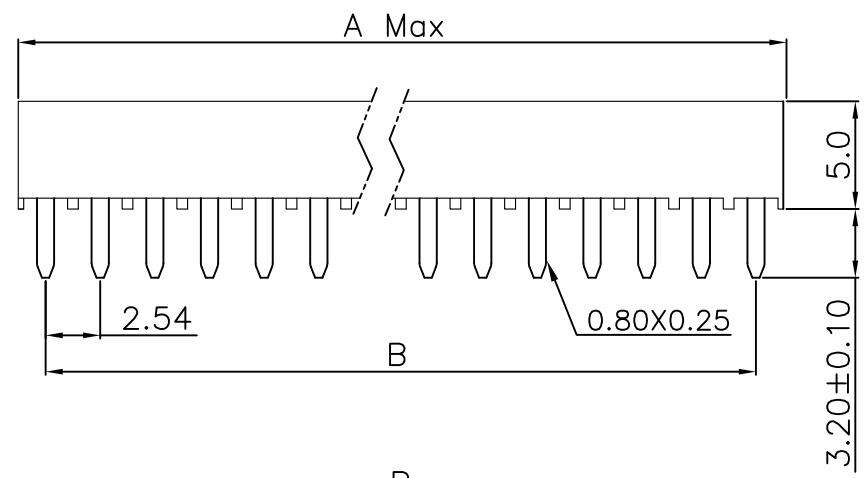
REV.	SPECIFICATION	ECN NO.	APPD.
R4			



**Material:**  
Housing: Thermoplastiv Polyester Glass Filled UL94V-0.  
Contacts: Copper Alloy.

**Electrical Characteristics:**  
Current Rating: 2 AMP.  
Dielectric Withstanding Voltage: AC 1000V For 1 minute.  
Insulator Resistance: 1000MΩ min. at DC 500V.  
Contact Resistance: 20mΩ max. at DC 100mA.  
Operating Temperature: -55°C ~+105°C .

**\*RoHS Compliant**  
Insertion Depth: 2.55mm to 4.50mm.  
Bottom Entry Insertion Depth: 4.55mm min.  
(Excluding PCB Thickness).



2048- 2 X xx G xx E U  
Series ————  
Double Row ————  
No. of ————  
Pin Per Row ————  
G: Gold Plated ————  
T: Tin Plated ————  
U: Tube Package  
E: 2.54mm X 7.62mm  
00: G/F  
10: 10 μ"  
15: 15 μ"  
30: 30 μ"

Position	4 Thru 80
Dimension	
A	2.54 X No. of Positions/2
B	2.54 X No. of Positions/2 -2.54

Tolerances	Dwg. No.	2048-D0000-005	Title:	2048 Series P.C.B. Socket	 <b>OUPIIN ELECTRONIC(KUNSHAN) CO., LTD.</b> P/N: 2048-2XxxGxxEU SHEET 1/1 Ver. No. R4
x = ±0.5	Projection		2.54mmX2.54mm(0.100"X0.100")		
.x = ±0.25	Unit	mm		Scale 1:1	
.xx = ±0.15	Drawn By	Zhu QL 12/04'12			