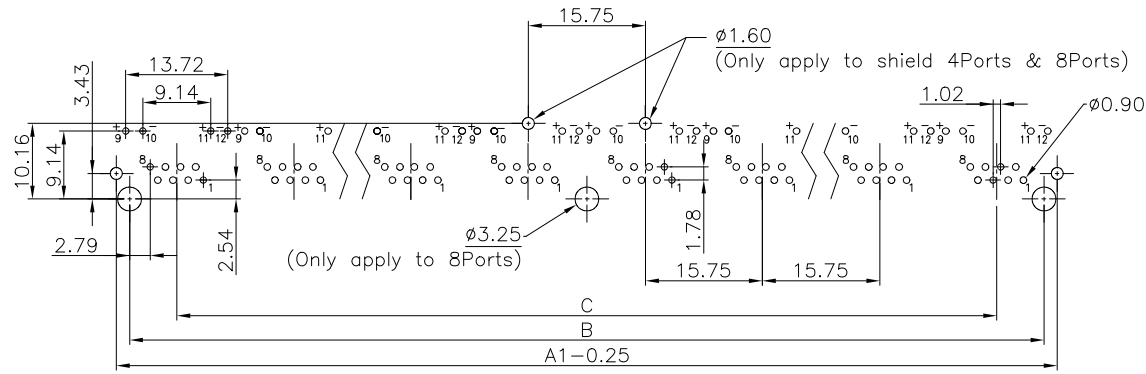
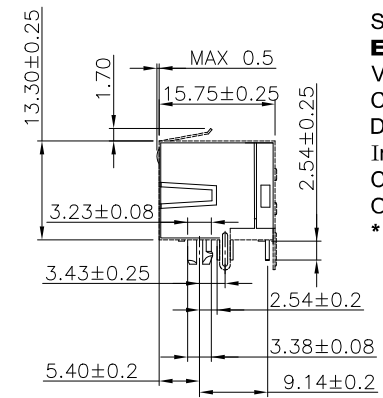
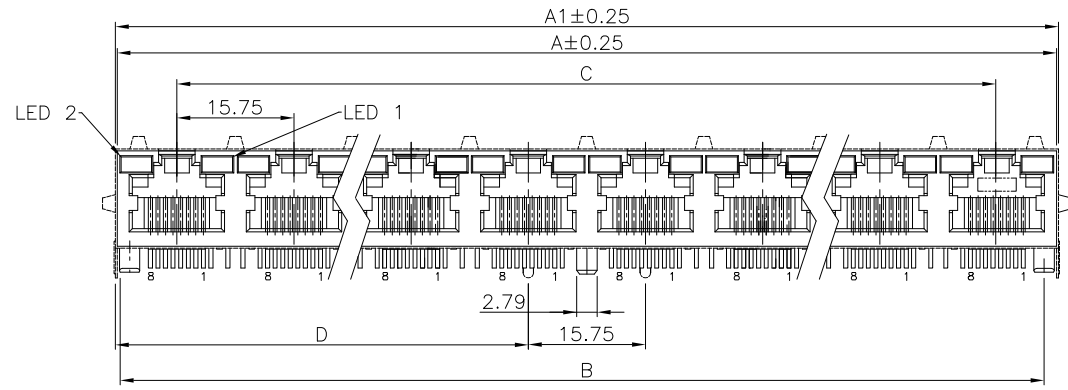


REV.	SPECIFICATION	ECN NO.	APPD.



P.C.Board Layout

**Material:**  
Housing: PA46, UI94V-0.  
Contacts: Phosphor Bronze, Gold Plated on Contact Area and Gold Flash on solder tail over Nickel 50u" Min.  
Shell: Brass, Nickel Plated.  
**Electrical Characteristics:**  
Voltage Rating: 150V.  
Current Rating: 1.5 AMP.  
Dielectric Withstanding Voltage: 1000V.  
Insulation Resistance: 500MΩ min.  
Contact Resistance: 30mΩ max.  
Operating Temperature: -40°C~+85°C.  
**\*RoHS Compliant**

- 8949-AL1 8 8 x -06 S 1 x B A
- Series
- Position
- 8: 8 Contacts
- 2,4,6,8 Ports
- 06: 6u" Gold Plated
- 15: 15u" Gold Plated
- 30: 30u" Gold Plated
- 50: 50u" Gold Plated
- S: Shield
- Blank: Non-Shield
- A: Tray Package
- B: Black
- A: LED1: Green, LED2: Yellow
- B: LED1: Green, LED2: Green
- C: LED1: Yellow, LED2: Green
- D: LED1: Yellow, LED2: Yellow
- E: LED1: G+Y, LED2: Green
- K: LED1: R+G, LED2: R+G
- P: LED1: G+Y, LED2: G+Y
- Blank: W/O LED
- \*1: With Grounding
- 0: W/O Grounding

\* Only Apply to Shield Type  
6P Only Available with Grounding

Port Dim	2 Port	4 Port	6 Port	8 Port
A1	32.26	63.76	90.00	126.75
A	31.50	62.99	94.70	125.98
B	28.45	59.94	91.45	122.94
C	15.75	47.25	78.75	110.25
D		24.00		55.50

Tolerances	Dwg. No.	8949D02197		Title:	
.x = ±0.25	Projection	⊕ ⊖		8949-AL1 Series	
.xx = ±0.13	Unit	mm	Scale	Modular Jack With LED	
.xxx = ±0.05	Drawn By	Martin	06/21'23	CAT 5a	
				① 563	

<b>OUPIIN</b>			
OUPIIN ELECTRONIC(KUNSHAN) CO., LTD.			
P/N: 8949-AL188x-06S1xBA			
SHEET	1/1	Ver.No.	A7