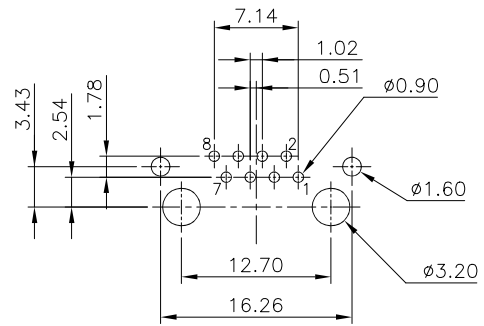
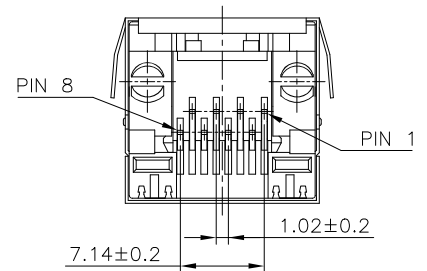
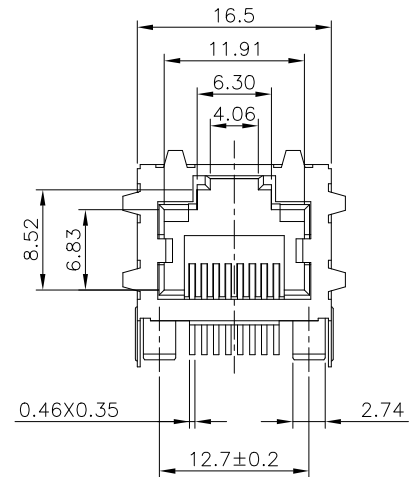
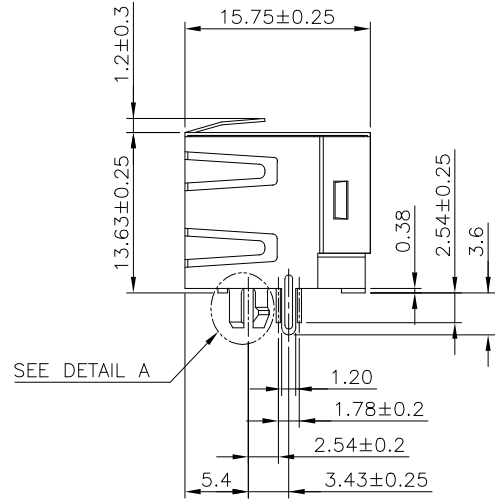


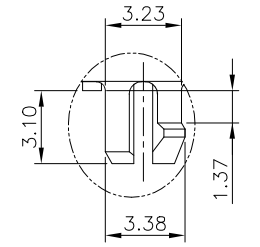
REV.	SPECIFICATION	ECN NO.	APPD.



P.C. BOARD LAYOUT  
THICKNESS: 1.6mm  
TOLERANCE: ±0.05mm



SEE DETAIL A



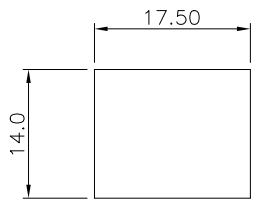
8949-AL1 8 8 1 -06 S 1 B A

Series ——— 8949-AL1  
8: 8 Position ——— 8  
8: 8 Contacts ——— 8  
1: 1 Port ——— 1  
06: 06u" Gold Plated ——— -06  
15: 15u" Gold Plated ———  
30: 30u" Gold Plated ———  
50: 50u" Gold Plated ———


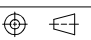
————— S: Shield  
————— Blank: Non-Shield

————— A: Tray Package  
————— B: Black  
————— \*1: With Grounding  
————— \*0: W/O Grounding

\*Only apply to shield Type.



RECOMMENDED PANEL CUTOUT

Tolerances	Dwg. No.	8949D02209	Title:		 <b>OUPIN ELECTRONIC(KUNSHAN) CO., LTD.</b> P/N: 8949-AL1881-06S1BA SHEET 1/1 Ver.No. A3
.x = ±0.25	Projection		8949-AL1 Series		
.xx = ±0.13	Unit	mm	Scale	1:N	
.xxx = ±0.05	Drawn By	Martin 07/31'23	563	CAT 5e	