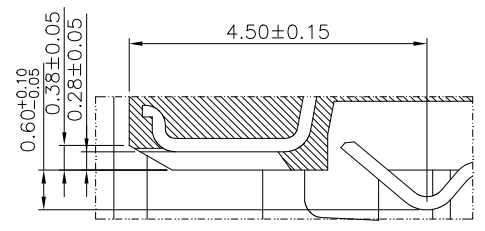
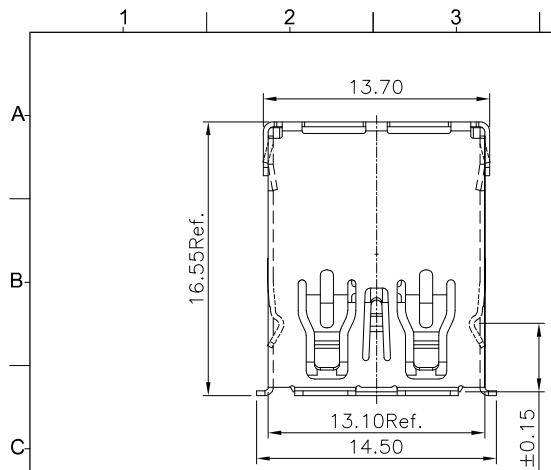
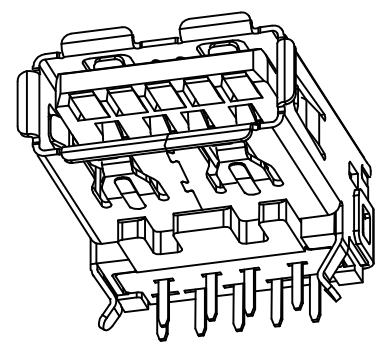


REV.	SPECIFICATION	ECN NO.	APPD.

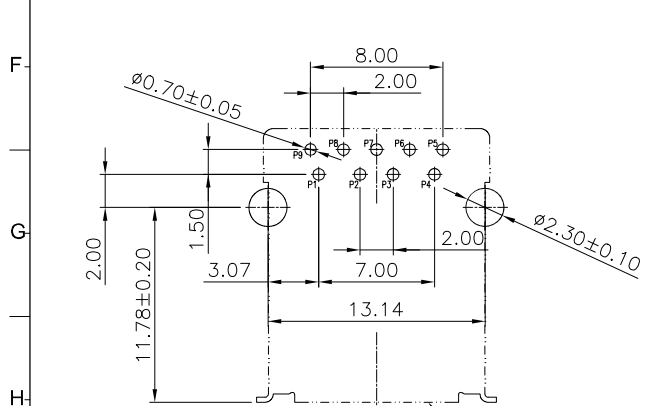
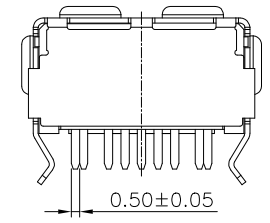
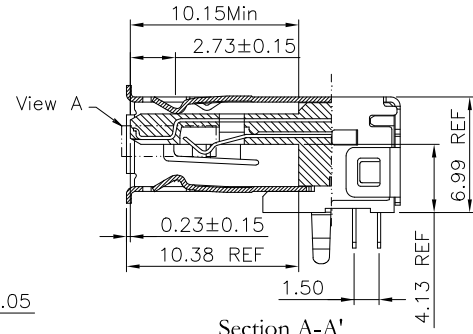
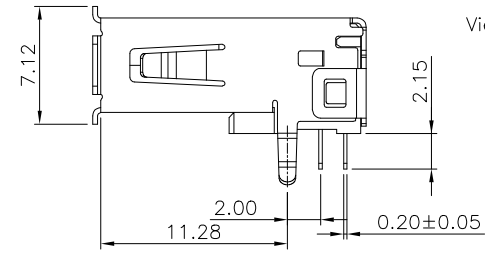
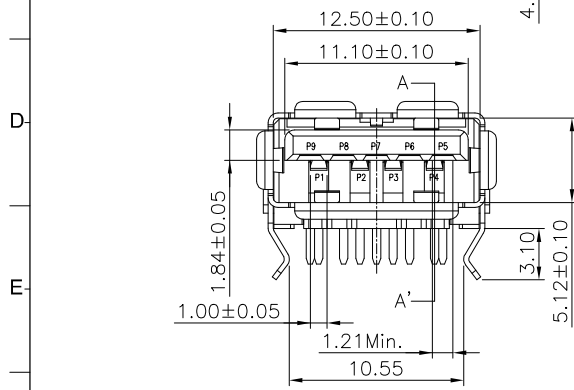


View A

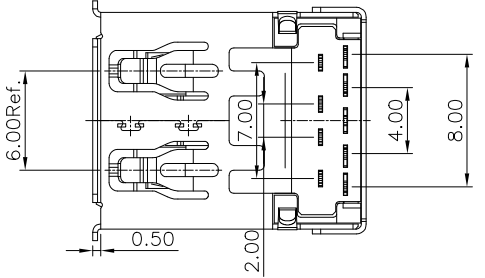


Material:
Housing: PBT, UL94V-0.
Baffle: PA66, UL94V-0.
Contacts: Phosphor Bronze(4Pin), Gold Plated on Contact Area and 100u" Min Tin Plated on Solder Tail over Nickel 50u" Min.
Brass(5Pin), Gold Plated on Contact Area and 100u" Min Tin Plated on Solder Tail over Nickel 50u" Min.
Shell: Brass.

Electrical Characteristics:
Current Rating: 1.8 A(Only Pin1 and Pin4),
0.25 A(For Other Pin).
Dielectric Withstanding Voltage : AC 100V For 1 minute.
Insulator Resistance: 100MΩ min. at DC 250V.
Contact Resistance: 30mΩ max.
Operating Temperature: -55°C~ +85°C.
***RoHS Compliant**



P.C. Board Layout



Series 8972-A 09 C 30 R U A
Position
C: Selective Gold Plated
A: Tray Package
U: Blue
R: Right Angle
30: 30u"

Pin Number	Signal Name
1	VBUS
2	D-
3	D+
4	GND
5	StdA_SSRX-
6	StdA_SSRX+
7	GND-DRAIN
8	StdA_SSTX-
9	StdA_SSTX+

Tolerances	Dwg. No.	8972D02003	Title:	8972-A Series
.x = ±0.35	Projection		USB 3.2 Gen2 A Type	Speed: 10Gbps
.xx = ±0.25	Unit	mm	Scale	1:N
.xxx = ±0.15	Drawn By	Martin 05/15'23	705	

OUPIN			
OUPIN ELECTRONIC(KUNSHAN) CO., LTD.			
P/N: 8972-A09C30RUA			
SHEET	1/1	Ver.No.	B4