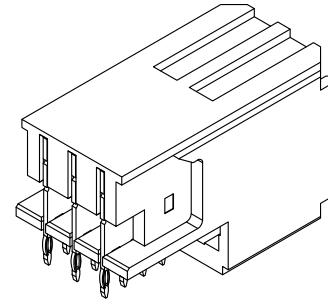
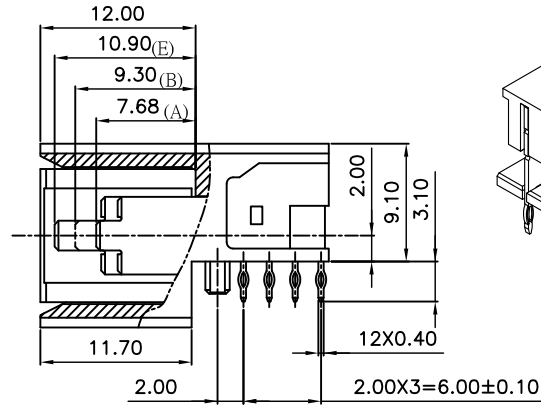
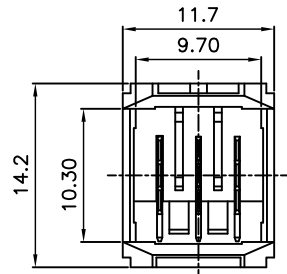


REV.	SPECIFICATION	ECN NO.	APPD.
R4		ECN150422	



**Material:**

Housing: Thermoplastic Polyester Glass Filled UL94V-0.

Contacts: Copper Alloy

**Electrical Characteristics:**

Current Rating: 15 AMP.

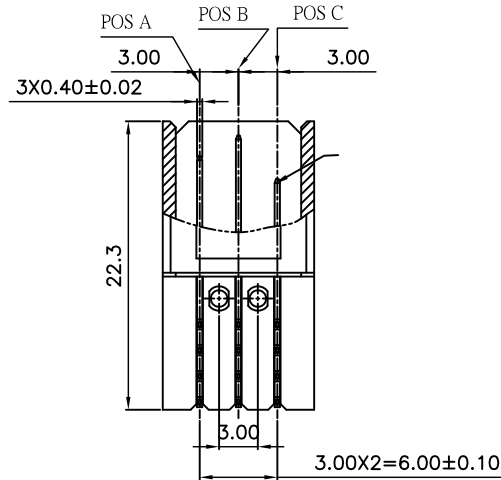
Dielectric Withstanding Voltage: AC 1000V For 1 minute.

Insulator Resistance: 10000MΩ min. at DC 500V.

Contact Resistance: 20mΩ max. at DC 100mA.

Operating Temperature: -55°C ~+125°C .

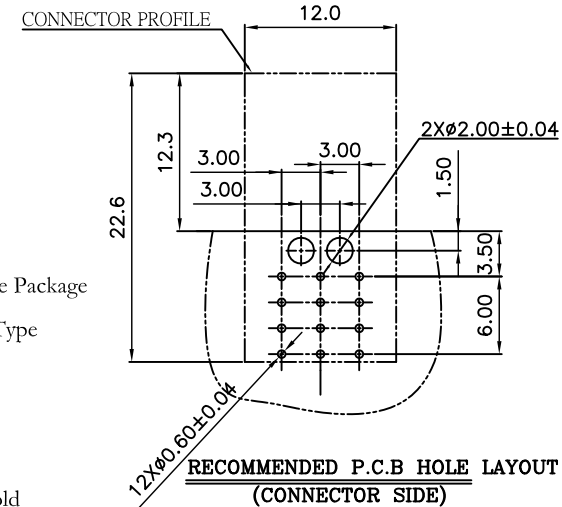
**\*RoHS Compliant**



9111- 3 3 3 1 C 30 P U

Series | 3: 3Row | 3: Male | Position | 1: Pin Assembly Type | C: Dip Tin | Contact Gold

U: Tube Package | P: Press Fit Type | 10: 10 u" | 15: 15 u" | 30: 30 u"



Pin Assembly Type Schematic												
Part No.	9111-3331CxxP	9111-3332CxxP	9111-3333CxxP	9111-3334CxxP	9111-3335CxxP	9111-3336CxxP	9111-3337CxxP	9111-3338CxxP	9111-3339CxxP	9111-33310CxxP	9111-33311CxxP	9111-33312CxxP

Tolerances	Dwg. No.	9111D33001		Title:		 <b>OUPIIN ELECTRONIC(KUNSHAN) CO., LTD.</b> P/N: 9111-333xCxxPU SHEET 1/1 Ver.No. R4	
x = ±0.5	Projection			9111 Series			
.x = ±0.25	Unit	mm	Scale	Power Modules			
.xx = ±0.15	Drawn By	WP 04/22'15	Scale	Male Press Fit Type			