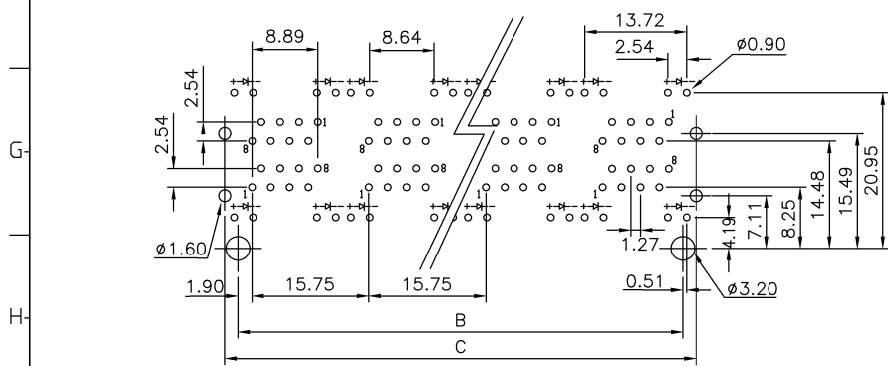
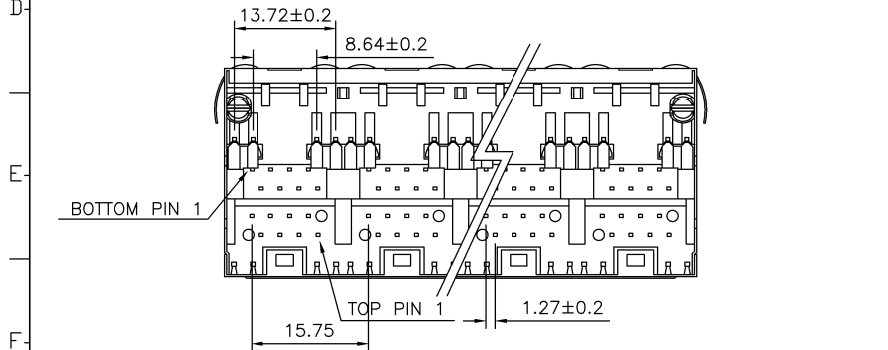
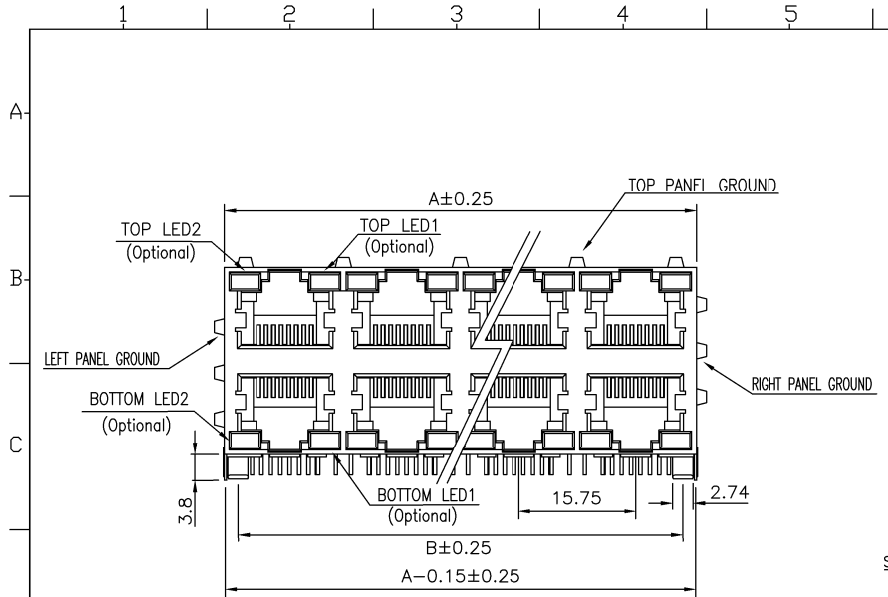
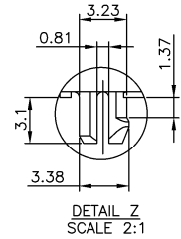
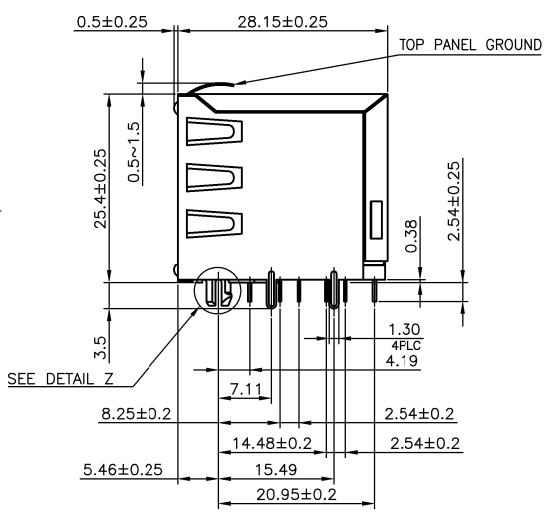


REV.	SPECIFICATION	ECN NO.	APPD.
------	---------------	---------	-------



P.C. Board Layout



8949-ID3 8 8 x -06 S 1 x B A

Series: 8949-ID3
 Position: 8 8
 8: 8 Contacts

2: 2X1 = 2 Ports
 4: 2X2 = 4 Ports
 8: 2X4 = 8 Ports
 12: 2X6 = 12 Ports

06:06u" Gold Plated
 15:15u" Gold Plated
 30:30u" Gold Plated
 50:50u" Gold Plated

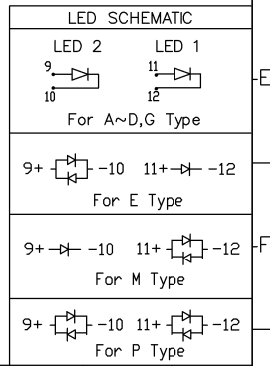
S: Shield

A: Tray Package
 B: Black

A: LED1: Green, LED2: Yellow
 B: LED1: Green, LED2: Green
 C: LED1: Yellow, LED2: Green
 D: LED1: Yellow, LED2: Yellow
 E: LED1: G+Y, LED2: Green
 G: LED1: Red, LED2: Green
 M: LED1: Red, LED2: G+Y
 P: LED1: G+Y, LED2: G+Y

1: With Grounding

Material:
 Housing(Bottom): PA46, UL94V-0.
 (Top): PBT, UL94V-0.
 Contacts: Phosphor Bronze, Gold Plated on Contact Area and Gold Flash on solder tail over Nickel 50u"
 Shield: Brass, Nickel plated.
Electrical Characteristics:
 Voltage Rating: AC 150V.
 Current Rating: 1.5 AMP.
 Dielectric Withstanding Voltage: 1000V for 1 minute.
 Insulator Resistance: 500MΩ min.
 Contact Resistance: 30mΩ max.
 Operating Temperature: -40°C~+85°C.
***RoHS Compliant**



Port Dim	2	4	8	12
A	16.51	32.15	63.65	95.15
B	12.70	28.45	59.95	91.45
C	16.26	32.00	63.50	95.00

Tolerances	Dwg. No.	8949D02074	Title:	8949-ID3 Series	
.x = ±0.25	Projection		RJ 45 Stacked Modular Jack	 DUPIN ELECTRONIC(KUNSHAN) CO., LTD. P/N: 8949-ID388x-06S1xB SHEET 1/1 Ver.No. B6	
.xx = ±0.13	Unit	mm	Scale		1:N
.xxx = ±0.05	Drawn By	Martin 07/23'21	With LED Right Angle Type		① 563