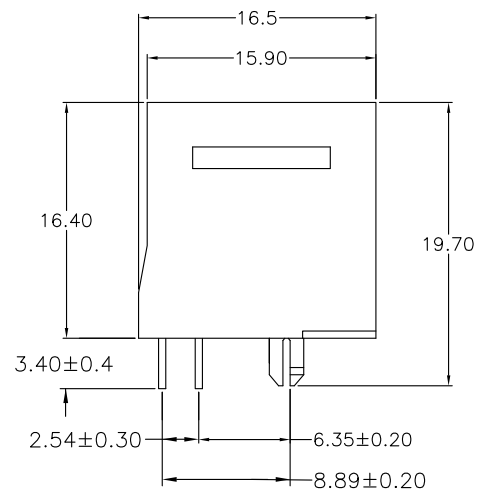
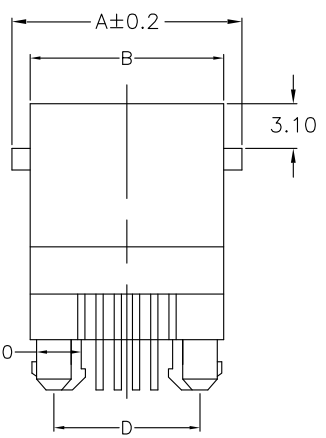
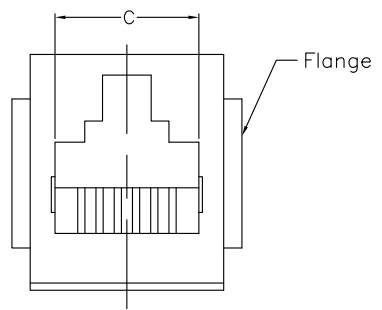


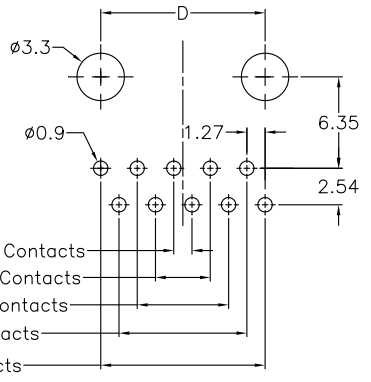
REV.	SPECIFICATION	ECN NO.	APPD.



Material:
Housing: Thermoplastic Polyester Glass Filled UL94V-0.
Contacts: Copper Alloy.
Plating: Selective Gold plated on contact area over Nickel.

Electrical Characteristics:
Voltage Rating: 125V.
Current Rating: 1.5 AMP.
Dielectric Withstanding Voltage: 1000V for 1 minute.
Insulator Resistance: 500MΩ min. at DC 500V.
Contact Resistance: 30mΩ max. at DC 100mA.
Operating Temperature: -40°C~+85°C.

Mechanical Characteristics:
Durability: 750 Cycles.
***RoHS Compliant**



P.C. Board Layout

8949-H	10	10	-06	B	F	A
Series	10: 10 Position 8: 8 Position 6: 6 Position 4: 4 Position	10: 10 Contacts 8: 8 Contacts 6: 6 Contacts 4: 4 Contacts 2: 2 Contacts	50: 50μ" Gold Plated 30: 30μ" Gold Plated 15: 15μ" Gold Plated 06: 6μ" Gold Plated	B: Black	F: With Flange N: W/O Flange	A: Tray Package

No. of Position	No. of Contacts	Dimensions			
		A	B	C	D
4	4	13.80	11.40	7.90	7.62
6	2	15.80	13.45	10.00	10.16
6	4	15.80	13.45	10.00	10.16
6	6	15.80	13.45	10.00	10.16
8	8	18.00	15.50	11.90	11.43
10	10	18.00	15.50	11.90	11.43

Tolerances	Dwg. No.	8949D02092	Title:	
x = ±0.50	Projection		8949-H Series	
.x = ±0.25	Unit	mm	Scale	1:1
.xx = ±0.15	Drawn By	Vic Lyu	10/13'15	0773

8949-H Series
Modular Jack

OUPIN
OUPIN ELECTRONIC(KUNSHAN) CO., LTD.
P/N: 8949-Hxx-06BFA

SHEET	1/1	Ver.No.	B4
--------------	-----	----------------	----