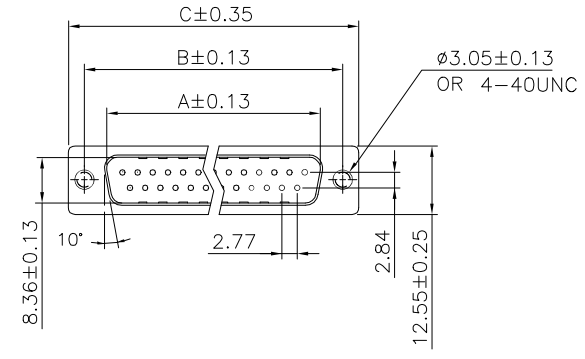
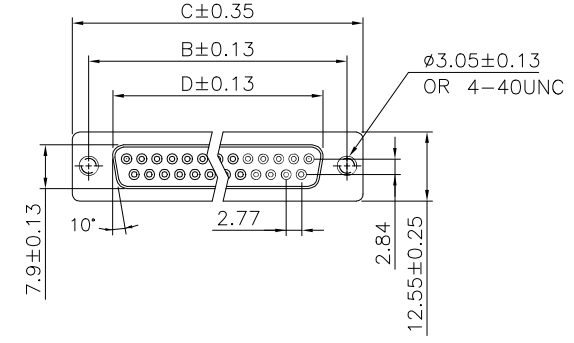


| | | | |
|------|---------------|---------|-------|
| REV. | SPECIFICATION | ECN NO. | APPD. |
| | | | |

Male



Female



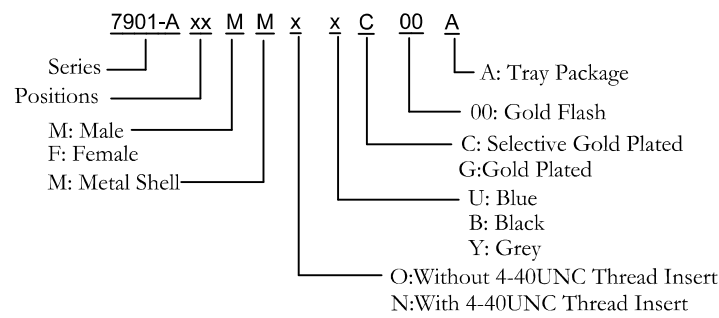
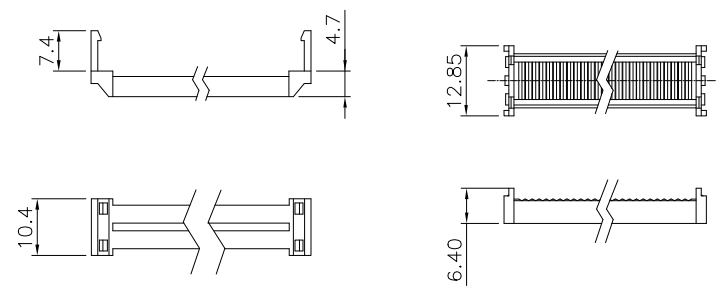
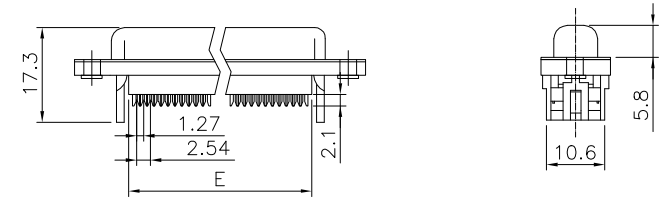
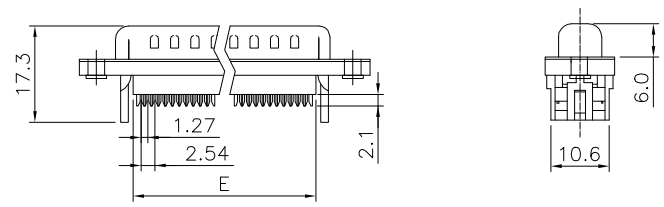
Material:

Housing: PBT, UL94V-0.
 Contacts: Brass, Gold Plated over Nickel 50u" or Gold Plated on Contact Area and 100u" Tin Plated on Wire Cutting Area over Nickel 50u".

Shell: Steel

Electrical Characteristics:

Current Rating: 3 AMP.
 Dielectric Withstanding Voltage: AC 1000V.
 Insulation Resistance: 1000MΩ min.
 Contact Resistance: 20mΩ max.
 Operating Temperature: -25°C~+85°C.
***RoHS Compliant**



| Positions | A | B | C | D | E |
|-----------|-------|-------|-------|-------|-------|
| 09 | 16.92 | 24.99 | 30.81 | 16.33 | 13.10 |
| 15 | 25.25 | 33.32 | 39.14 | 24.66 | 20.70 |
| 25 | 38.96 | 47.04 | 53.04 | 38.38 | 33.68 |
| 37 | 55.42 | 63.50 | 69.32 | 54.84 | 50.30 |

Strain Relief

Cover

| | | | | | |
|-------------------|-------------------|-----------------|--------------|-----------------------------------|-----|
| Tolerances | Dwg. No. | 7901D03002 | | Title: | |
| x = ±0.5 | Projection | ⊕ ⊖ | | 7901-A Series D-SUB I.D.C Type | |
| .x = ±0.25 | Unit | mm | Scale | | 1:N |
| .xx = ±0.15 | Drawn By | Martin 01/08'24 | | | |

① 747

OUPIIN
 OUPIIN ELECTRONIC(KUNSHAN) CO., LTD.
 P/N: 7901-AxxMMxxC00A&7901-AxxFMxxC00A

| | | | |
|--------------|-----|----------------|----|
| SHEET | 1/1 | Ver.No. | A8 |
|--------------|-----|----------------|----|