

REV.	SPECIFICATION	ECN NO.	APPD.

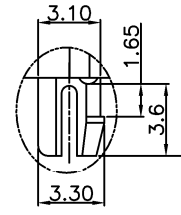
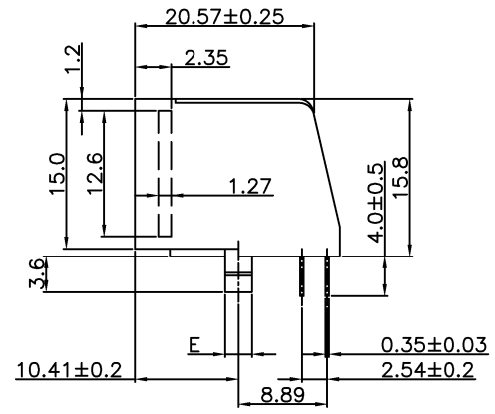
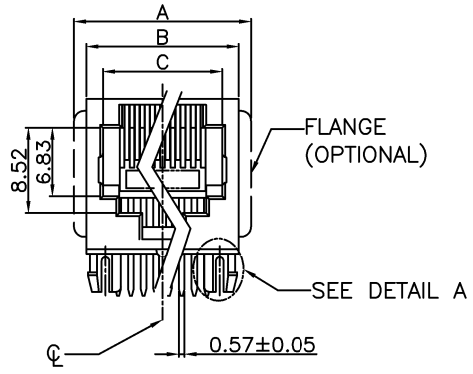
Material:

Housing: PBT, UL94V-0.
 Contacts: Phosphor Bronze, Gold Plated on Contact Area and Gold Flash on Solder Tail over Nickel 50u".

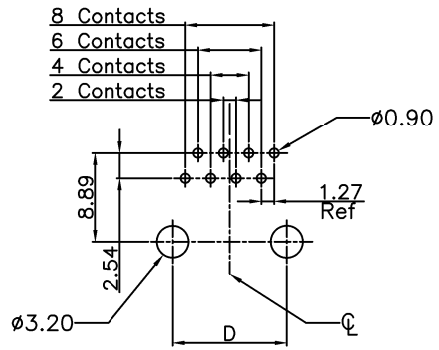
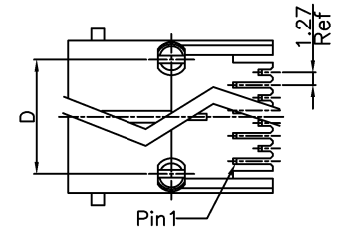
Electrical Characteristics:

Current Rating: 1.5 AMP.
 Dielectric Withstanding Voltage: AC 1000V.
 Insulation Resistance: 500MΩ min.
 Contact Resistance: 20mΩ max.
 Operating Temperature: -40°C~+85°C.

***RoHS Compliant**



DETAIL A
SCALE 2:1



Recommended PCB Layout

Recommended PCB Thickness: 1.6mm

Tolerance: ±0.05(Top View)

Series 8949-AC x x -06 B F A

8: 8 Positions
 6: 6 Positions
 4: 4 Positions
 8: 8 Contacts
 6: 6 Contacts
 4: 4 Contacts
 2: 2 Contacts

A: Tray Package
 F: With Flange
 N: Without Flange
 B: Black
 06: 06 u" Gold Plated
 15: 15 u" Gold Plated
 30: 30 u" Gold Plated
 50: 50 u" Gold Plated

No. of Positions	No. of Contacts	Dimensions				
		A	B	C	D	E
4	4	13.7	11.28	7.88	7.62	3.2
6	2	15.7	13.34	9.88	10.16	3.2
6	4	15.7	13.34	9.88	10.16	3.2
6	6	15.7	13.34	9.88	10.16	3.2
8	8	17.7	15.24	11.91	11.43	2.7

Tolerances	Dwg No.	8949D02201
x = ±0.50	Projection	
.x = ±0.25	Unit	mm
.xx = ±0.15	Scale	1:1
	Drawn By	Jerry 12/20'19

Title: 8949-AC Series
 Modular Jack
 Side Entry Type
 CAT 5e

DUPIIN
 OUPIIN ELECTRONIC(KUNSHAN) CO., LTD.
 P/N: 8949-ACxx-06BFA

SHEET	1/1	Ver.No.	A2
-------	-----	---------	----

Ⓞ 563